
Enhanced Single Supply Hi-Speed USB ULPI Transceiver

Highlights

- USB-IF Battery Charging 1.1 Specification Compliant
- Link Power Management (LPM) Specification Compliant
- Integrated ESD protection circuits
 - Up to ± 25 kV IEC Air Discharge without external devices
- Over-Voltage Protection circuit (OVP) protects the VBUS pin from continuous DC voltages up to 30V
- Microchip RapidCharge Anywhere™ Provides:
 - 3-times the charging current through a USB port over traditional solutions
 - USB-IF Battery Charging 1.1 compliance to any portable device
 - Charging current up to 1.5Amps via compatible USB host or dedicated charger
 - Dedicated Charging Port (DCP), Charging (CDP) & Standard (SDP) Downstream Port support
- flexPWR® Technology
 - Extremely low current design ideal for battery powered applications
 - “Sleep” mode tri-states all ULPI pins and places the part in a low current state
 - 1.8V to 3.3V IO Voltage
- Single Power Supply Operation
 - Integrated 1.8V regulator
 - Integrated 3.3V regulator
 - 100mV dropout voltage
- PHYBoost
 - Programmable USB transceiver drive strength for recovering signal integrity
- VariSense™
 - Programmable USB receiver sensitivity
- “Wrapper-less” design for optimal timing performance and design ease
 - Low Latency Hi-Speed Receiver (43 Hi-Speed clocks Max) allows use of legacy UTMI Links with a ULPI bridge
- External Reference Clock operation available
 - ULPI Clock Input Mode (60MHz sourced by Link)
 - 0 to 3.6V input drive tolerant
 - Able to accept “noisy” clock sources as reference to internal, low-jitter PLL
 - Crystal support available
- Smart detection circuits allow identification of USB charger, headset, or data cable insertion
- Includes full support for the optional On-The-Go (OTG) protocol detailed in the On-The-Go Supplement Revision 2.0 specification
- Supports the OTG Host Negotiation Protocol (HNP) and Session Request Protocol (SRP)
- UART mode for non-USB serial data transfers
- Internal 5V cable short-circuit protection of ID, DP and DM lines to VBUS or ground
- Industrial Operating Temperature -40°C to $+85^{\circ}\text{C}$
- 32 pin, QFN RoHS Compliant package (5 x 5 x 0.90 mm height)

Applications

The USB3370 is the solution of choice for any application where a Hi-Speed USB connection is desired and when board space, power, and interface pins must be minimized.

- Cell Phones
- PDAs
- MP3 Players
- GPS Personal Navigation
- Scanners
- External Hard Drives
- Digital Still and Video Cameras
- Portable Media Players
- Entertainment Devices
- Printers
- Set Top Boxes
- Video Record/Playback Systems
- IP and Video Phones
- Gaming Consoles

TO OUR VALUED CUSTOMERS

It is our intention to provide our valued customers with the best documentation possible to ensure successful use of your Microchip products. To this end, we will continue to improve our publications to better suit your needs. Our publications will be refined and enhanced as new volumes and updates are introduced.

If you have any questions or comments regarding this publication, please contact the Marketing Communications Department via E-mail at docerrors@microchip.com. We welcome your feedback.

Most Current Data Sheet

To obtain the most up-to-date version of this data sheet, please register at our Worldwide Web site at:

<http://www.microchip.com>

You can determine the version of a data sheet by examining its literature number found on the bottom outside corner of any page. The last character of the literature number is the version number, (e.g., DS30000000A is version A of document DS30000000).

Errata

An errata sheet, describing minor operational differences from the data sheet and recommended workarounds, may exist for current devices. As device/documentation issues become known to us, we will publish an errata sheet. The errata will specify the revision of silicon and revision of document to which it applies.

To determine if an errata sheet exists for a particular device, please check with one of the following:

- Microchip's Worldwide Web site; <http://www.microchip.com>
- Your local Microchip sales office (see last page)

When contacting a sales office, please specify which device, revision of silicon and data sheet (include -literature number) you are using.

Customer Notification System

Register on our web site at www.microchip.com to receive the most current information on all of our products.

Table of Contents

| | |
|---|----|
| 1.0 Introduction | 4 |
| 2.0 USB3370 Pin Locations and Definitions | 6 |
| 3.0 Limiting Values | 9 |
| 4.0 Electrical Characteristics | 10 |
| 5.0 Architecture Overview | 17 |
| 6.0 ULPI Operation | 33 |
| 7.0 ULPI Register Map | 51 |
| 8.0 Application Notes | 61 |
| 9.0 Package Outline | 66 |
| Appendix A: Data Sheet Revision History | 71 |
| The Microchip Web Site | 72 |
| Customer Change Notification Service | 72 |
| Customer Support | 72 |
| Product Identification System | 73 |

USB3370

1.0 INTRODUCTION

Microchip's USB3370 is a family of Hi-Speed USB 2.0 Transceivers that provide a physical layer (PHY) solution well-suited for portable electronic devices. Both commercial and industrial temperature applications are supported.

Several advanced features make the USB3370 the transceiver of choice by reducing both eBOM part count and printed circuit board (PCB) area. Outstanding ESD robustness eliminates the need for external ESD protection devices in typical applications. The internal Over-Voltage Protection circuit (OVP) protects the USB3370 from voltages up to 30V on the **VBUS** pin. By using a reference clock from the Link, the USB3370 removes the cost of a dedicated crystal reference from the design. The USB3370 includes integrated 3.3V and 1.8V regulators, making it possible to operate the device from a single power supply.

The USB3370 is optimized for use in portable applications where a low operating current and standby currents are essential. The USB3370 operates from a single supply and includes integrated regulators for its supplies. The USB3370 also supports the USB Link Power Management protocol (LPM) to further reduce USB operating currents.

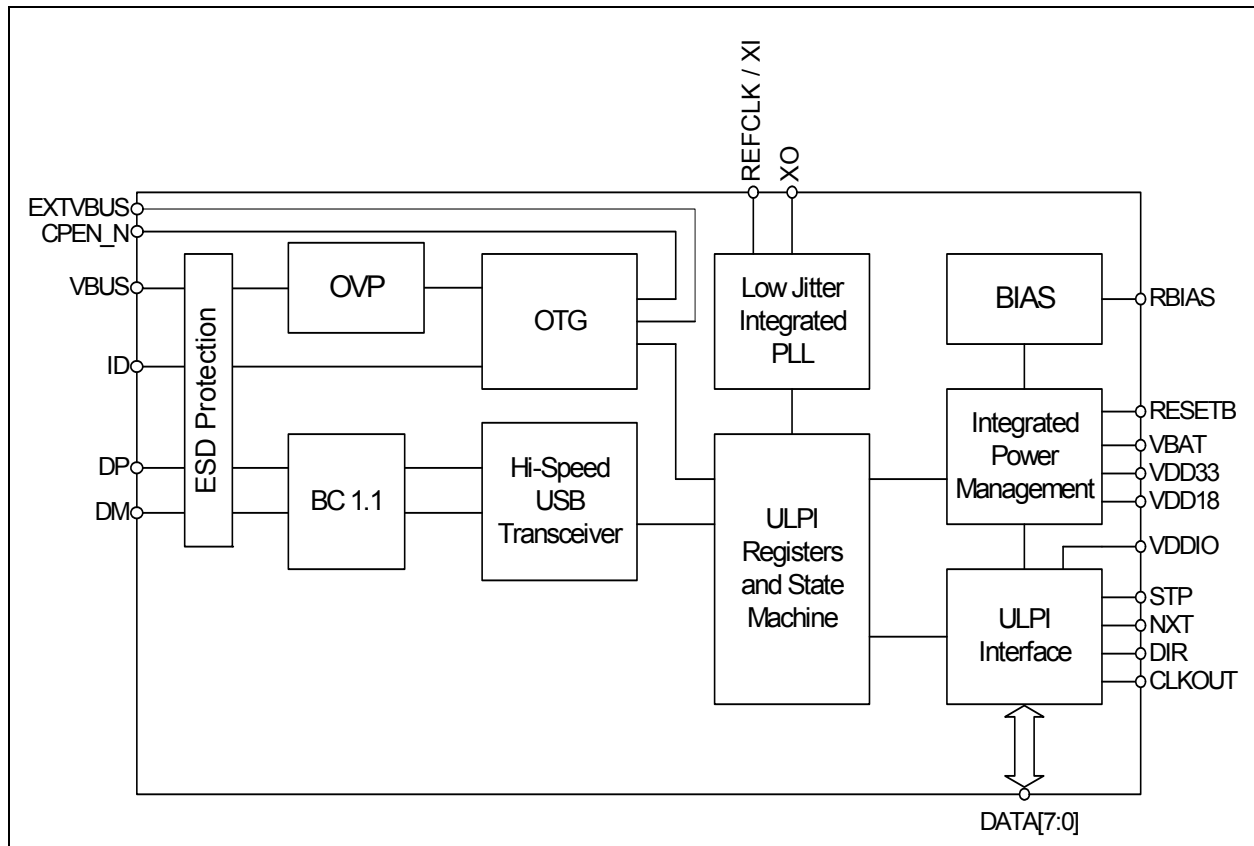
The USB3370 also includes family is enabled with Microchip's RapidCharge Anywhere™ which supports USB-IF Battery Charging 1.1 for any portable device. RapidCharge Anywhere™ provides three times the charging current through a USB port over traditional solutions which translate up to 1.5Amps via compatible USB host or dedicated charger. In addition, this provides a complete USB charging ecosystem between device and host ports such as Dedicated Charging Port (DCP), Charging (CDP) and Standard (SDP) Downstream Ports. [Section 5.9](#) describes this in further detail.

The USB3370 meets all of the electrical requirements for a Hi-Speed USB Host, Device, or an On-the-Go (OTG) transceiver. In addition to the supporting USB signaling, the USB3370 also provides USB UART mode.

USB3370 uses the industry standard UTMI+ Low Pin Interface (ULPI) to connect the USB transceiver to the Link. ULPI uses a method of in-band signaling and status byte transfers between the Link and PHY to facilitate a USB session with only twelve pins.

The USB3370 uses Microchip's "wrapper-less" technology to implement the ULPI interface. This "wrapper-less" technology allows the PHY to achieve a low latency transmit and receive time. Microchip's low latency transceiver allows an existing UTMI Link to be reused by adding a UTMI to ULPI bridge. By adding a bridge to the ASIC the existing and proven UTMI Link IP can be reused.

FIGURE 1-1: BLOCK DIAGRAM USB3370



The USB3370 includes an integrated 3.3V LDO regulator that is used to generate 3.3V from power applied to the **VBAT** pin. The voltage on the **VBAT** pin can range from 3.0 to 5.5V. The regulator dropout voltage is less than 100mV which allows the PHY to continue USB signaling when the voltage on **VBAT** drops to 3.0V. The USB transceiver will continue to operate at lower voltages, although some parameters may be outside the limits of the USB specifications. The **VBAT** and **VDD33** pins should *never* be connected together.

In USB UART mode, the USB3370 **DP** and **DM** pins are redefined to enable pass-through of asynchronous serial data. The USB3370 will enter UART mode when programmed, as described in [Section 6.7.1](#).

1.1 Reference Documents

- UTMI+ Low Pin Interface (ULPI) Specification, Rev. 1.1
- Universal Serial Bus Specification, Revision 2.0
- On-The-Go Supplement to the USB2.0 Specification, Rev. 1.3
- On-The-Go Supplement to the USB2.0 Specification, Rev. 2.0
- USB Battery Charging Specification, Rev. 1.1

USB3370

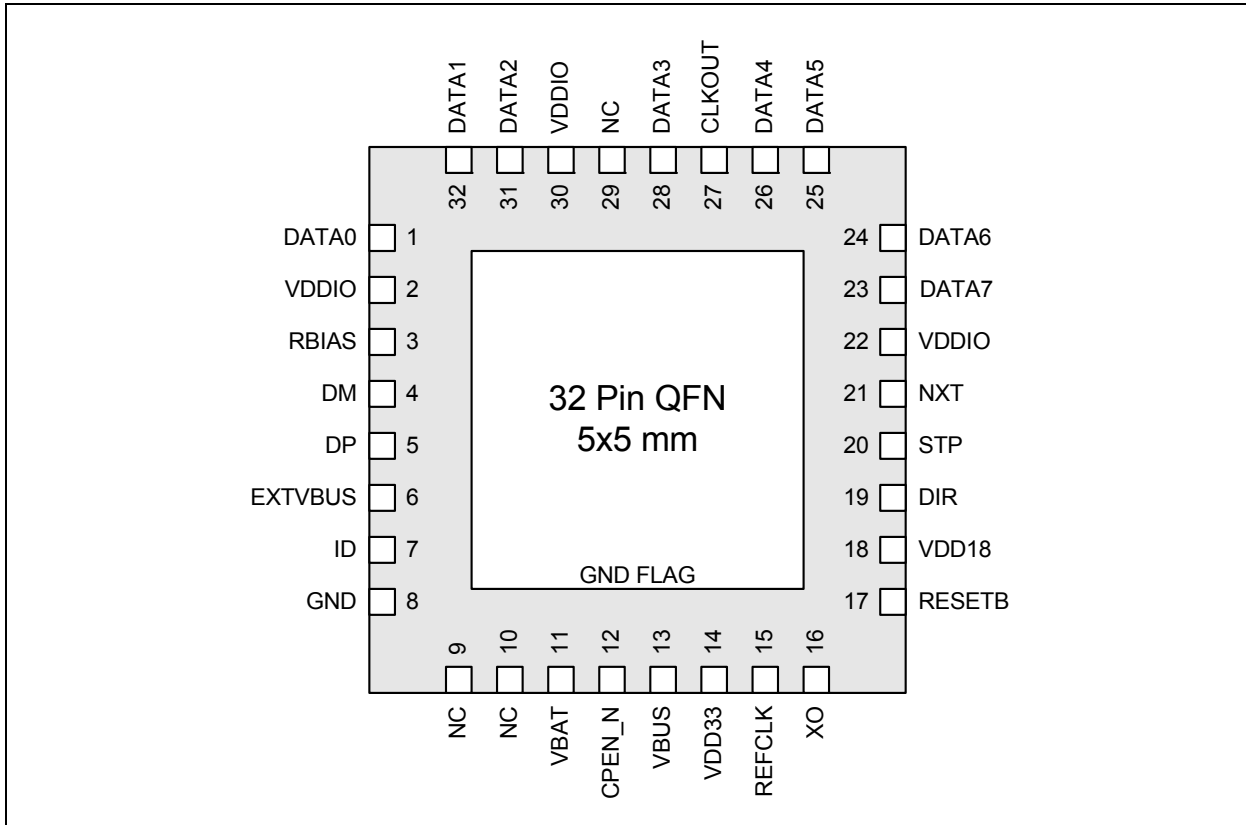
2.0 USB3370 PIN LOCATIONS AND DEFINITIONS

2.1 USB3370 Pin Locations and Descriptions

2.1.1 USB3370 PIN DIAGRAM AND PIN DEFINITIONS

The illustration below is viewed from the top of the package.

FIGURE 2-1: USB3370 PIN LOCATIONS - TOP VIEW



The following table details the pin definitions for the figure above.

TABLE 2-1: USB3370 PIN DESCRIPTIONS

| Pin | Name | Direction/Type | Active Level | Description |
|-----|---------|----------------|--------------|---|
| 27 | CLKOUT | Output, CMOS | N/A | ULPI Clock Out Mode: 60MHz ULPI clock output. All ULPI signals are driven synchronous to the rising edge of this clock. ULPI Clock In Mode: Connect this pin to VDDIO to configure 60MHz ULPI Clock IN mode as described in Section 5.5.1 . |
| 21 | NXT | Output, CMOS | High | The PHY asserts NXT to throttle the data. When the Link is sending data to the PHY, NXT indicates when the current byte has been accepted by the PHY. |
| 1 | DATA[0] | I/O, CMOS | N/A | ULPI bi-directional data bus. DATA[0] is the LSB. |
| 32 | DATA[1] | I/O, CMOS | N/A | ULPI bi-directional data bus. |
| 31 | DATA[2] | I/O, CMOS | N/A | ULPI bi-directional data bus. |

TABLE 2-1: USB3370 PIN DESCRIPTIONS (CONTINUED)

| Pin | Name | Direction/ Type | Active Level | Description |
|---------------|---------|-----------------------|-----------------|--|
| 28 | DATA[3] | I/O, CMOS | N/A | ULPI bi-directional data bus. |
| 26 | DATA[4] | I/O, CMOS | N/A | ULPI bi-directional data bus. |
| 6 | EXTVBUS | Input, CMOS | High | External Vbus Detect. Connect to fault output of an external USB power switch or an external Vbus Valid comparator. See Section 5.7.5, "External Vbus Indicator," on page 29 for details. This pin has a pull down resistor to prevent it from floating when the ULPI bit <i>UseExternalVbusIndicator</i> is set to 0. |
| 25 | DATA[5] | I/O, CMOS | N/A | ULPI bi-directional data bus. |
| 24 | DATA[6] | I/O, CMOS | N/A | ULPI bi-directional data bus. |
| 9 10 29 | NC | N/A | N/A | No connect. Leave pin floating. |
| 23 | DATA[7] | I/O, CMOS | N/A | ULPI bi-directional data bus. DATA[7] is the MSB. |
| 12 | CPEN_N | Output, Open Drain | Low | External 5 volt supply enable. This pin is used to enable the external Vbus power supply. The CPEN_N pin is tri-stated on POR. |
| 5 | DP | I/O, Analog | N/A | D+ pin of the USB cable. |
| 4 | DM | I/O, Analog | N/A | D- pin of the USB cable. |
| 14 | VDD33 | Power | N/A | 3.3V Regulator Output. A 1.0uF (<1 ohm ESR) bypass capacitor to ground is required for regulator stability. The bypass capacitor should be placed as close as possible to the USB3370. |
| 11 | VBAT | Power | N/A | Regulator input. The regulator supply can be from 5.5V to 3.0V. |
| 13 | VBUS | I/O, Analog | N/A | This pin is used for the VBUS comparator inputs and for VBUS pulsing during session request protocol. An external resistor, R_{VBUS} , is required between this pin and the USB connector. |
| 7 | ID | Input, Analog | N/A | For device applications the ID pin is connected to VDD33 . For Host applications ID is grounded. For OTG applications the ID pin is connected to the USB connector. |
| 3 | RBIAS | Analog, CMOS | N/A | Bias Resistor pin. This pin requires an 10k Ω ($\pm 1\%$) resistor to ground, placed as close as possible to the USB3370. Nominal voltage during ULPI operation is 0.8V. |
| 16 | XO | Output, Analog | N/A | Crystal pin. If using an external clock on XI this pin should be floated. |
| 15 | REFCLK | Input, CMOS | N/A | ULPI Clock Out Mode: Reference clock or XI (crystal in) pin. ULPI Clock In Mode: 60MHz ULPI clock input. |

USB3370

TABLE 2-1: USB3370 PIN DESCRIPTIONS (CONTINUED)

| Pin | Name | Direction/ Type | Active Level | Description |
|---------------|--------|--------------------|-----------------|---|
| 17 | RESETB | Input, CMOS, | Low | When low, the part is suspended and the 3.3V and 1.8V regulators are disabled. When high, the USB3370 will operate as a normal ULPI device, as described in Section 5.6.2 . The state of this pin may be changed asynchronously to the clock signals. When asserted for a minimum of 1 microsecond and then de-asserted, the ULPI registers are reset to their default state and all internal state machines are reset. |
| 18 | VDD18 | Power | N/A | 1.8V Regulator Output. A 1.0uF (<1 ohm ESR) bypass capacitor to ground is required for regulator stability. The bypass capacitor should be placed as close as possible to the USB3370. |
| 20 | STP | Input, CMOS | High | The Link asserts STP for one clock cycle to stop the data stream currently on the bus. If the Link is sending data to the PHY, STP indicates the last byte of data was on the bus in the previous cycle. |
| 19 | DIR | Output, CMOS | N/A | Controls the direction of the data bus. When the PHY has data to transfer to the Link, it drives DIR high to take ownership of the bus. When the PHY has no data to transfer it drives DIR low and monitors the bus for commands from the Link. |
| 2 22 30 | VDDIO | Power | N/A | 1.8V to 3.3V ULPI interface supply voltage. |
| FLAG 8 | GND | Ground | N/A | Ground. |

3.0 LIMITING VALUES

3.1 Absolute Maximum Ratings

TABLE 3-1: ABSOLUTE MAXIMUM RATINGS

| Parameter | Symbol | Conditions | MIN | TYP | MAX | Units |
|---|-----------------------|---|------|-----|-------------------------|-------|
| VBUS, VBAT, and ID, voltage to GND | V _{MAX_USB} | Voltage measured at pin. VBUS tolerant to 30V with external R _{VBUS} . | -0.5 | | 6.0 | V |
| DP and DM voltage to GND | V _{MAX_DPDM} | | -0.5 | | 5.0 | V |
| Maximum VDD18 voltage to Ground | V _{MAX_18V} | | -0.5 | | 2.5 | V |
| Maximum VDD33 voltage to Ground | V _{MAX_33V} | | -0.5 | | 4.0 | V |
| Maximum VDDIO voltage to Ground | V _{MAX_IOV} | | -0.5 | | 4.0 | |
| Maximum I/O voltage to Ground | V _{MAX_IN} | | -0.5 | | V _{DDIO} + 0.7 | |
| Maximum I/O voltage to Ground (EXTVBUS, CPEN_N) | V _{MAX_IN} | | -0.5 | | 5.5V | |
| Operating Temperature | T _{MAX_OP} | | -40 | | 85 | C |
| Storage Temperature | T _{MAX_STG} | | -55 | | 150 | C |

Note: Stresses beyond those listed under “Absolute Maximum Ratings” may cause permanent damage to the device. Exposure to absolute maximum rating conditions for extended periods may affect device reliability.

3.2 Recommended Operating Conditions

TABLE 3-2: RECOMMENDED OPERATING CONDITIONS

| Parameter | Symbol | Conditions | MIN | TYP | MAX | Units |
|--|---------------------|------------|-----|---------|-------------------|-------|
| VBAT to GND | V _{BAT} | | 3.0 | | 5.5 | V |
| VDD33 to GND | V _{DD33} | | 3.0 | 3.3 | 3.6 | V |
| VDD18 to GND | V _{DD18} | | 1.6 | 1.8 | 2.0 | V |
| VDDIO to GND | V _{DDIO} | | 1.6 | 1.8-3.3 | 3.6 | V |
| Input Voltage on Digital Pins (RESETB, STP, DIR, NXT, DATA[7:0]) | V _I | | 0.0 | | V _{DDIO} | V |
| Input Voltage on Digital Pins (EXTVBUS, CPEN_N) | V _I | | 0.0 | | 5.0 | V |
| Voltage on Analog I/O Pins (DP, DM, ID) | V _{I(I/O)} | | 0.0 | | V _{DD33} | V |
| VBUS to GND | V _{VMAX} | | 0.0 | | 5.5 | |
| Ambient Temperature | T _A | | -40 | | 85 | C |

USB3370

4.0 ELECTRICAL CHARACTERISTICS

The following conditions are assumed unless otherwise specified:

$V_{DD33} = 3.0$ to $3.6V$; $V_{DD18} = 1.6$ to $2.0V$; $V_{SS} = 0V$; $T_A = -40C$ to $+85C$

4.1 Operating Current

TABLE 4-1: OPERATING CURRENT

| Parameter | Symbol | Conditions | MIN | TYP | MAX | Units |
|--|---------------------|--|-----|------|-----|-------|
| Synchronous Mode Current (Default Configuration) | $I_{VBAT(SYNC)}$ | USB Idle | 24 | 27 | 29 | mA |
| | $I_{VIO(SYNC)}$ | | 2 | 3 | 7 | mA |
| Synchronous Mode Current (HS USB operation) | $I_{VBAT(HS)}$ | Active USB Transfer | 33 | 35 | 37 | mA |
| | $I_{VIO(HS)}$ | | 5 | 6 | 14 | mA |
| Synchronous Mode Current (FS/LS USB operation) | $I_{VBAT(FS)}$ | Active USB Transfer | 25 | 28.5 | 30 | mA |
| | $I_{VIO(FS)}$ | | 4 | 5 | 13 | mA |
| Serial Mode Current (FS/LS USB) Note 4-1 | $I_{VBAT(FS_S)}$ | | 7 | 8 | 9 | mA |
| | $I_{VIO(FS_S)}$ | | 0 | 0.1 | 0.7 | mA |
| USB UART Current Note 4-1 | $I_{VBAT(UART)}$ | | 7 | 8 | 9 | mA |
| | $I_{VIO(UART)}$ | | 0 | 0.1 | 0.7 | mA |
| Low Power Mode Note 4-2 Note 4-3 | $I_{VBAT(SUSPEND)}$ | $V_{VBAT} = 4.2V$ $V_{VDDIO} = 1.8V$ | 29 | 32 | 83 | uA |
| | $I_{VIO(SUSPEND)}$ | | 0 | 0 | 2 | uA |
| RESET Mode Note 4-3 | $I_{VBAT(RSTB)}$ | RESETB = 0 $V_{VBAT} = 4.2V$ $V_{VDDIO} = 1.8V$ | 0.1 | 1 | 12 | uA |
| | $I_{VIO(RSTB)}$ | | 0 | 0 | 7 | uA |

Note 4-1 *ClockSuspendM* bit = 0.

Note 4-2 SessEnd, VbusVld, and IdFloat comparators disabled. **STP** Interface protection disabled.

Note 4-3 REFCLK is OFF

4.2 Clock Specifications

The model number for each frequency of REFCLK is provided in [Product Identification System on page 73](#).

TABLE 4-2: CLOCK SPECIFICATIONS

| Parameter | Symbol | Conditions | MIN | TYP | MAX | Units |
|--------------------------------------|------------------|------------------------------|------|-----|------|-------|
| Suspend Recovery Time | T_{START} | LPM Enable = 0 | 1.0 | 1.1 | 1.32 | ms |
| | T_{START_LPM} | LPM Enable = 1 | 125 | | 150 | uS |
| PHY Preparation Time 60MHz REFCLK | T_{PREP} | LPM Enable = 0 | 1.0 | 1.1 | 1.32 | ms |
| | T_{PREP_LPM} | LPM Enable = 1 | 125 | | 150 | uS |
| CLKOUT Duty Cycle | DC_{CLKOUT} | ULPI Clock Input Mode | 45 | | 55 | % |
| REFCLK Duty Cycle | DC_{REFCLK} | | 20 | | 80 | % |
| REFCLK Frequency Accuracy | F_{REFCLK} | | -500 | | +500 | PPM |

Note 1: T_{START} and T_{PREP} are measured from the time when REFCLK and RESETB are both valid to when the USB3370 de-asserts DIR.

2: The USB3370 uses the *AutoResume* feature, [Section 6.4.1.4](#), to allow a host start-up time of less than 1ms.

Note 4-4 REFCLK with oscillator Input

Note 4-5 Crystal Input

4.3 ULPI Interface Timing

TABLE 4-3: ULPI INTERFACE TIMING

| Parameter | Symbol | Conditions | MIN | MAX | Units |
|---|------------------|-----------------------|-----|-----|-------|
| 60MHz ULPI Output Clock Note 4-6 | | | | | |
| Setup time (STP, data in) | T_{SC}, T_{SD} | Model-specific REFCLK | 5.0 | | ns |
| Hold time (STP, data in) | T_{HC}, T_{HD} | Model-specific REFCLK | 0.0 | | ns |
| Output delay (control out, 8-bit data out) | T_{DC}, T_{DD} | Model-specific REFCLK | 1.5 | 6 | ns |
| 60MHz ULPI Input Clock | | | | | |
| Setup time (STP, data in) | T_{SC}, T_{SD} | 60MHz REFCLK | 3 | | ns |
| Hold time (STP, data in) | T_{HC}, T_{HD} | 60MHz REFCLK | 0 | | ns |
| Output delay (control out, 8-bit data out) | T_{DC}, T_{DD} | 60MHz REFCLK | 0.5 | 6.0 | ns |

Note: $C_{Load} = 10pF$.

Note 4-6 REFCLK does not need to be aligned in any way to the ULPI signals.

4.4 Digital IO Pins

TABLE 4-4: DIGITAL IO CHARACTERISTICS: RESETB, STP, DIR, NXT, DATA[7:0], AND REFCLK PINS

| Parameter | Symbol | Conditions | MIN | TYP | MAX | Units |
|---|----------------|--------------------------------|-------------------|------|------------------|------------|
| Low-Level Input Voltage | V_{IL} | | V_{SS} | | 0.8 | V |
| High-Level Input Voltage | V_{IH} | | $0.68 * V_{DDIO}$ | | V_{DDIO} | V |
| High-Level Input Voltage REFCLK and RESETB | V_{IH_REF} | | $0.68 * V_{DDIO}$ | | V_{DD33} | V |
| Low-Level Output Voltage | V_{OL} | $I_{OL} = 8mA$ | | | 0.4 | V |
| High-Level Output Voltage | V_{OH} | $I_{OH} = -8mA$ | $V_{DDIO} - 0.4$ | | | V |
| Output rise time | T_{IORISE} | $C_{LOAD} = 10pF$ | | 1.19 | | nS |
| Output fall time | T_{IOFALL} | $C_{LOAD} = 10pF$ | | 1.56 | | nS |
| Input Leakage Current | I_{LI} | | | | ± 10 | μA |
| Pin Capacitance | C_{pin} | | | | 4 | pF |
| STP pull-up resistance | R_{STP} | InterfaceProtectDisable = 0 | 55 | 67 | 80 | k Ω |
| DATA[7:0] pull-down resistance | R_{DATA_PD} | ULPI Synchronous Mode | 55 | 67 | 77 | k Ω |
| CLKOUT External Drive | V_{IH_ED} | At start-up or following reset | | | $0.4 * V_{DDIO}$ | V |

USB3370

4.5 DC Characteristics: Analog I/O Pins

TABLE 4-5: DC CHARACTERISTICS: ANALOG I/O PINS (DP/DM)

| Parameter | Symbol | Conditions | MIN | TYP | MAX | Units |
|--|--------------|---|-------|------|-------|------------|
| LS/FS FUNCTIONALITY | | | | | | |
| Input levels | | | | | | |
| Differential Receiver Input Sensitivity | V_{DIFS} | $ V(DP) - V(DM) $ | 0.2 | | | V |
| Differential Receiver Common-Mode Voltage | V_{CMFS} | | 0.8 | | 2.5 | V |
| Single-Ended Receiver Low Level Input Voltage | V_{ILSE} | Note 4-8 | | | 0.8 | V |
| Single-Ended Receiver High Level Input Voltage | V_{IHSE} | Note 4-8 | 2.0 | | | V |
| Single-Ended Receiver Hysteresis | V_{HYSSE} | | 0.050 | | 0.150 | V |
| Output Levels | | | | | | |
| Low Level Output Voltage | V_{FSOL} | Pull-up resistor on DP; $R_L = 1.5k\Omega$ to V_{DD33} | | | 0.3 | V |
| High Level Output Voltage | V_{FSOH} | Pull-down resistor on DP, DM; Note 4-8 $R_L = 15k\Omega$ to GND | 2.8 | | 3.6 | V |
| Termination | | | | | | |
| Driver Output Impedance for HS | Z_{HSDRV} | Steady state drive | 40.5 | 45 | 49.5 | Ω |
| Input Impedance | Z_{INP} | RX, RPU, RPD disabled | 1.0 | | | M Ω |
| Pull-up Resistor Impedance | R_{PU} | Bus Idle, Note 4-7 | 0.900 | 1.24 | 1.575 | k Ω |
| Pull-up Resistor Impedance | R_{PU} | Device Receiving, Note 4-7 | 1.425 | 2.26 | 3.09 | k Ω |
| Pull-dn Resistor Impedance | R_{PD} | Note 4-7 | 14.25 | 16.9 | 20 | k Ω |
| HS FUNCTIONALITY | | | | | | |
| Input levels | | | | | | |
| HS Differential Input Sensitivity | V_{DIHS} | $ V(DP) - V(DM) $ | 100 | | | mV |
| HS Data Signaling Common Mode Voltage Range | V_{CMHS} | | -50 | | 500 | mV |
| HS Squelch Detection Threshold (Differential) | V_{HSSQ} | VariSense[1:0] = 00b Note 4-9 | 100 | | 150 | mV |
| HS Disconnect Threshold | V_{HSDSC} | | 525 | | 625 | mV |
| Output Levels | | | | | | |
| High Speed Low Level Output Voltage (DP/DM referenced to GND) | V_{HSOL} | 45 Ω load | -10 | | 10 | mV |
| High Speed High Level Output Voltage (DP/DM referenced to GND) | V_{HSOH} | 45 Ω load | 360 | | 440 | mV |
| High Speed IDLE Level Output Voltage (DP/DM referenced to GND) | V_{OLHS} | 45 Ω load | -10 | | 10 | mV |
| Chirp-J Output Voltage (Differential) | V_{CHIRPJ} | HS termination resistor disabled, pull-up resistor connected. 45 Ω load. | 700 | | 1100 | mV |
| Chirp-K Output Voltage (Differential) | V_{CHIRPK} | HS termination resistor disabled, pull-up resistor connected. 45 Ω load. | -900 | | -500 | mV |

TABLE 4-5: DC CHARACTERISTICS: ANALOG I/O PINS (DP/DM) (CONTINUED)

| Parameter | Symbol | Conditions | MIN | TYP | MAX | Units |
|-------------------------------|----------|------------|-----|-----|-----|-------|
| Leakage Current | | | | | | |
| OFF-State Leakage Current | I_{LZ} | | | | ±10 | uA |
| Port Capacitance | | | | | | |
| Transceiver Input Capacitance | C_{IN} | Pin to GND | | 5 | 10 | pF |

Note 4-7 The resistor value follows the 27% Resistor ECN published by the USB-IF.

Note 4-8 The values shown are valid when the *USB RegOutput* bits in the [USB IO & Power Management](#) register are set to the default value.

Note 4-9 An automatic waiver up to 200mV is granted to accommodate system-level elements such as measurement/test fixtures, captive cables, EMI components, and ESD suppression. This parameter can be tuned using VariSense technology, as defined in [Section 7.1.3.1](#) of [Section 7.0, "ULPI Register Map"](#).

4.6 Dynamic Characteristics: Analog I/O Pins

TABLE 4-6: DYNAMIC CHARACTERISTICS: ANALOG I/O PINS (DP/DM)

| Parameter | Symbol | Conditions | MIN | TYP | MAX | Units |
|--|------------|---|-----|-----|-------|-------|
| FS Output Driver Timing | | | | | | |
| FS Rise Time | T_{FR} | $C_L = 50\text{pF}$; 10 to 90% of $ V_{OH} - V_{OL} $ | 4 | | 20 | ns |
| FS Fall Time | T_{FF} | $C_L = 50\text{pF}$; 10 to 90% of $ V_{OH} - V_{OL} $ | 4 | | 20 | ns |
| Output Signal Crossover Voltage | V_{CRS} | Excluding the first transition from IDLE state | 1.3 | | 2.0 | V |
| Differential Rise/Fall Time Matching | T_{FRFM} | Excluding the first transition from IDLE state | 90 | | 111.1 | % |
| LS Output Driver Timing | | | | | | |
| LS Rise Time | T_{LR} | $C_L = 50\text{-}600\text{pF}$; 10 to 90% of $ V_{OH} - V_{OL} $ | 75 | | 300 | ns |
| LS Fall Time | T_{LF} | $C_L = 50\text{-}600\text{pF}$; 10 to 90% of $ V_{OH} - V_{OL} $ | 75 | | 300 | ns |
| Differential Rise/Fall Time Matching | T_{LRFM} | Excluding the first transition from IDLE state | 80 | | 125 | % |
| HS Output Driver Timing | | | | | | |
| Differential Rise Time | T_{HSR} | | 500 | | | ps |
| Differential Fall Time | T_{HSF} | | 500 | | | ps |
| Driver Waveform Requirements | | Eye pattern of Template 1 in USB 2.0 specification | | | | |
| High Speed Mode Timing | | | | | | |
| Receiver Waveform Requirements | | Eye pattern of Template 4 in USB 2.0 specification | | | | |
| Data Source Jitter and Receiver Jitter Tolerance | | Eye pattern of Template 4 in USB 2.0 specification | | | | |

USB3370

4.7 VBUS Electrical Characteristics

TABLE 4-7: VBUS ELECTRICAL CHARACTERISTICS

| Parameter | Symbol | Conditions | MIN | TYP | MAX | Units |
|------------------------------|----------------------|--|------|------|------|-------|
| SessEnd trip point | V _{SessEnd} | | 0.2 | 0.5 | 0.8 | V |
| SessVld trip point | V _{SessVld} | | 0.8 | 1.4 | 2.0 | V |
| VbusVld trip point | V _{VbusVld} | | 4.4 | 4.58 | 4.75 | V |
| VBUS Pull-Up | R _{VPU} | VBUS to VDD33 Note 4-10 (ChargeVbus = 1) | 1.29 | 1.34 | 1.45 | kΩ |
| VBUS Pull-down | R _{VPD} | VBUS to GND Note 4-10 (DisChargeVbus = 1) | 1.55 | 1.7 | 1.85 | kΩ |
| VBUS Impedance | R _{VB} | VBUS to GND | 40 | 75 | 100 | kΩ |
| A-Device Impedance to ground | R _{IdGnd} | Maximum Impedance to ground on ID pin | | | 100 | kΩ |

Note 4-10 The R_{VPD} and R_{VPU} values include the required 1kΩ external R_{VBUS} resistor.

4.8 ID Electrical Characteristics

TABLE 4-8: ID ELECTRICAL CHARACTERISTICS

| Parameter | Symbol | Conditions | MIN | TYP | MAX | Units |
|----------------------------|----------------------|--------------|-----|-----|------|-------|
| ID Ground Trip Point | V _{IdGnd} | | 0.4 | 0.7 | 0.9 | V |
| ID Float Trip Point | V _{IdFloat} | | 1.6 | 2.2 | 2.5 | V |
| ID pull-up resistance | R _{ID} | IdPullup = 1 | 80 | 100 | 120 | kΩ |
| ID weak pull-up resistance | R _{IDW} | IdPullup = 0 | 1 | | | MΩ |
| ID pull-dn resistance | R _{IDPD} | IdGndDrv = 1 | | | 1000 | Ω |

4.9 USB Charger Detection Characteristics

TABLE 4-9: USB CHARGER DETECTION CHARACTERISTICS

| Parameter | Symbol | Conditions | MIN | TYP | MAX | Units |
|---------------------------------|-----------------------|---|------|-----|-----|-------|
| Data Source Voltage | V _{DAT_SRC} | I _{DAT_SRC} < 250uA | 0.5 | | 0.7 | V |
| Data Detect Voltage | V _{DAT_REF} | | 0.25 | | 0.4 | V |
| Data Source Current | I _{DAT_SRC} | | 250 | | | uA |
| Data Sink Current | I _{DAT_SINK} | | 50 | | 150 | uA |
| Data Connect Current | I _{DP_SRC} | | 7 | | 13 | uA |
| Weak Pull-up Resistor Impedance | R _{CD} | Configured by bits 4 and 5 in USB IO & Power Management register. | 128 | 170 | 212 | kΩ |

4.10 Regulator Output Voltages and Capacitor Requirement

TABLE 4-10: REGULATOR OUTPUT VOLTAGES AND CAPACITOR REQUIREMENT

| Parameter | Symbol | Conditions | MIN | TYP | MAX | Units |
|----------------------------|-------------|--|------|------|------|----------|
| Regulator Output Voltage | V_{DD33} | $5.5V > V_{BAT} > 3.0V$ | 2.8 | 3.3 | 3.6 | V |
| | | USB UART Mode & UART RegOutput[1:0] = 01 $6V > V_{BAT} > 3.0V$ | 2.7 | 3.0 | 3.3 | V |
| | | USB UART Mode & UART RegOutput[1:0] = 10 $6V > V_{BAT} > 3.0V$ | 2.47 | 2.75 | 3.03 | V |
| | | USB UART Mode & UART RegOutput[1:0] = 11 $6V > V_{BAT} > 3.0V$ | 2.25 | 2.5 | 2.75 | V |
| Regulator Bypass Capacitor | C_{OUT33} | | 1.0 | | | uF |
| Bypass Capacitor ESR | C_{ESR33} | | | | 1 | Ω |
| Regulator Output Voltage | V_{DD18} | $3.6V > V_{DD33} > 2.25V$ | 1.6 | 1.8 | 2.0 | V |
| Regulator Bypass Capacitor | C_{OUT18} | | 1.0 | | | uF |
| Bypass Capacitor ESR | C_{ESR18} | | | | 1 | Ω |

4.11 Piezoelectric Resonator for Internal Oscillator

The internal oscillator may be used with an external quartz crystal or ceramic resonator as described in [Section 5.4](#). See [Table 4-11](#) for the recommended crystal specifications.

TABLE 4-11: USB3370 QUARTZ CRYSTAL SPECIFICATIONS

| Parameter | Symbol | MIN | NOM | MAX | Units | Notes |
|--|------------|------------------------|--|-----------|-------|---------------------------|
| Crystal Cut | | AT, typ | | | | |
| Crystal Oscillation Mode | | Fundamental Mode | | | | |
| Crystal Calibration Mode | | Parallel Resonant Mode | | | | |
| Frequency | F_{fund} | - | See Product Identification System on page 73 | - | MHz | |
| Total Allowable PPM Budget | | - | - | ± 500 | PPM | Note 4-11 |
| Shunt Capacitance | C_O | - | 7 typ | - | pF | |
| Load Capacitance | C_L | - | 20 typ | - | pF | |
| Drive Level | P_W | 0.1 | - | - | mW | |
| Equivalent Series Resistance | R_1 | - | - | 30 | Ohm | |
| USB3370 REFCLK Pin Capacitance | | - | 3 typ | - | pF | Note 4-12 |
| USB3370 XO Pin Capacitance | | - | 3 typ | - | pF | Note 4-12 |
| Recommended Resistance between XI and XO | | 1M | - | - | Ohm | Note 4-13 |

Note 4-11 The required bit rate accuracy for Hi-Speed USB applications is ± 500 ppm as provided in the USB 2.0 Specification. This takes into account the effect of voltage, temperature, aging, etc.

Note 4-12 This number includes the pad, the bond wire and the lead frame. Printed Circuit Board (PCB) capacitance is not included in this value. The PCB capacitance value and the capacitance value of the **XO** and **REFCLK** pins are required to accurately calculate the value of the two external load capacitors.

Note 4-13 Refer to [Section 5.4](#) and [Figure 8-1](#) for more information.

USB3370

4.12 ESD and Latch-Up Performance

TABLE 4-12: ESD AND LATCH-UP PERFORMANCE

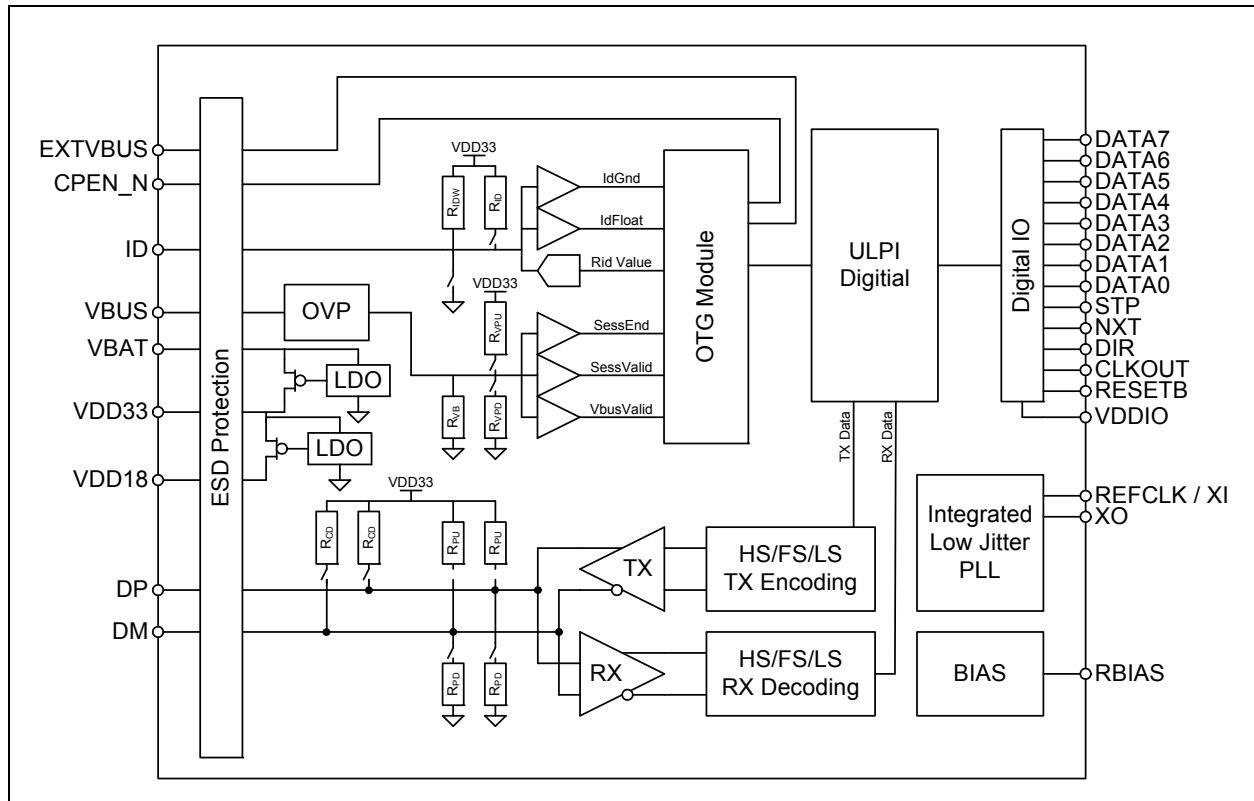
| Parameter | Conditions | MIN | TYP | MAX | Units | Comments |
|-----------------------------|------------------------------------|-----|-----|-----|-------|-----------------------|
| ESD PERFORMANCE | | | | | | |
| Note 4-14 | Human Body Model | | | ±8 | kV | Device |
| System | EN/IEC 61000-4-2 Contact Discharge | | | ±25 | kV | 3rd party system test |
| System | EN/IEC 61000-4-2 Air-gap Discharge | | | ±25 | kV | 3rd party system test |
| LATCH-UP PERFORMANCE | | | | | | |
| All Pins | EIA/JESD 78, Class II | | 150 | | mA | |

Note 4-14 REFCLK, XO, ID, and RESETB pins: ±5kV Human Body Model.

5.0 ARCHITECTURE OVERVIEW

The USB3370 consists of the blocks shown in the diagram below.

FIGURE 5-1: USB3370 SYSTEM DIAGRAM



5.1 ULPI Digital Operation and Interface

This section of the USB3370 is covered in detail in [Section 6.0, "ULPI Operation"](#).

5.2 USB 2.0 Hi-Speed Transceiver

The blocks in the lower left-hand corner of [Figure 6-1](#) interface to the DP/DM pins.

5.2.1 USB TRANSCEIVER

The USB3370 transceiver includes a Universal Serial Bus Specification Rev 2.0 compliant receiver and transmitter. The DP/DM signals in the USB cable connect directly to the receivers and transmitters.

The receiver consists of receivers for HS and FS/LS mode. Depending on the mode, the selected receiver provides the serial data stream through the multiplexer to the RX Logic block. For HS mode support, the HS RX block contains a squelch circuit to insure that noise is not interpreted as data. The RX block also includes a single-ended receiver on each of the data lines to determine the correct FS linestate.

Data from the Link is encoded, bit stuffed, serialized and transmitted onto the USB cable by the transmitter. Separate differential FS/LS and HS transmitters are included to support all modes.

The USB3370 TX block meets the HS signaling level requirements in the USB 2.0 Specification when the PCB traces from the **DP** and **DM** pins to the USB connector are correctly designed. In some systems the proper 90 ohm differential impedance can not be maintained and it may be desirable to compensate for loss by adjusting the HS transmitter amplitude and this HS squelch threshold. The *PHYBoost* bits in the [HS Compensation Register](#) may be configured to adjust the HS transmitter amplitude at the **DP** and **DM** pins. The *VariSense* bits in the [HS Compensation Register](#) can also be used to lower the squelch threshold to compensate for losses on the PCB.

To ensure proper operation of the USB transceiver the settings of [Table 5-1](#) must be followed.

USB3370

5.2.2 TERMINATION RESISTORS

The USB3370 transceiver fully integrates all of the USB termination resistors on both **DP** and **DM**. This includes 1.5kΩ pull-up resistors, 15kΩ pull-down resistors and the 45Ω High Speed termination resistors. These resistors require no tuning or trimming by the Link. The state of the resistors is determined by the operating mode of the transceiver when operating in synchronous mode.

The *XcvrSelect[1:0]*, *TermSelect* and *OpMode[1:0]* bits in the **Function Control** register, and the *DpPulldown* and *DmPulldown* bits in the **OTG Control** register control the configuration of the termination resistors. All possible valid resistor combinations are shown in **Table 5-1**, and operation is ensured in only the configurations shown. If a ULPI Register Setting is configured that does not match a setting in the table, the transceiver operation is not guaranteed and the settings in the last row of **Table 5-1** will be used.

- RPU_DP_EN activates the 1.5kΩ DP pull-up resistor
- RPU_DM_EN activates the 1.5kΩ DM pull-up resistor
- RPD_DP_EN activates the 15kΩ DP pull-down resistor
- RPD_DM_EN activates the 15kΩ DM pull-down resistor
- HSTERM_EN activates the 45Ω DP and DM High Speed termination resistors

TABLE 5-1: DP/DM TERMINATION VS. SIGNALING MODE

| Signaling Mode | ULPI Register Settings | | | | | USB3370 Termination Resistor Settings | | | | |
|---|------------------------|-------------------|--------------------|-------------------|-------------------|---------------------------------------|-----------|-----------|-----------|-----------|
| | <i>XcvrSelect[1:0]</i> | <i>TermSelect</i> | <i>OpMode[1:0]</i> | <i>DpPulldown</i> | <i>DmPulldown</i> | RPU_DP_EN | RPU_DM_EN | RPD_DP_EN | RPD_DM_EN | HSTERM_EN |
| General Settings | | | | | | | | | | |
| Tri-State Drivers, Note 5-1 | XXb | Xb | 01b | Xb | Xb | 0b | 0b | 0b | 0b | 0b |
| Power-up or VBUS < V _{SESSEND} | 01b | 0b | 00b | 1b | 1b | 0b | 0b | 1b | 1b | 0b |
| Host Settings | | | | | | | | | | |
| Host Chirp | 00b | 0b | 10b | 1b | 1b | 0b | 0b | 1b | 1b | 1b |
| Host High Speed | 00b | 0b | 00b | 1b | 1b | 0b | 0b | 1b | 1b | 1b |
| Host Full Speed | X1b | 1b | 00b | 1b | 1b | 0b | 0b | 1b | 1b | 0b |
| Host HS/FS Suspend | 01b | 1b | 00b | 1b | 1b | 0b | 0b | 1b | 1b | 0b |
| Host HS/FS Resume | 01b | 1b | 10b | 1b | 1b | 0b | 0b | 1b | 1b | 0b |
| Host Low Speed | 10b | 1b | 00b | 1b | 1b | 0b | 0b | 1b | 1b | 0b |
| Host LS Suspend | 10b | 1b | 00b | 1b | 1b | 0b | 0b | 1b | 1b | 0b |
| Host LS Resume | 10b | 1b | 10b | 1b | 1b | 0b | 0b | 1b | 1b | 0b |
| Host Test J/Test_K | 00b | 0b | 10b | 1b | 1b | 0b | 0b | 1b | 1b | 1b |
| Peripheral Settings | | | | | | | | | | |
| Peripheral Chirp | 00b | 1b | 10b | 0b | 0b | 1b | 0b | 0b | 0b | 0b |
| Peripheral HS | 00b | 0b | 00b | 0b | 0b | 0b | 0b | 0b | 0b | 1b |
| Peripheral FS | 01b | 1b | 00b | 0b | 0b | 1b | 0b | 0b | 0b | 0b |
| Peripheral HS/FS Suspend | 01b | 1b | 00b | 0b | 0b | 1b | 0b | 0b | 0b | 0b |
| Peripheral HS/FS Resume | 01b | 1b | 10b | 0b | 0b | 1b | 0b | 0b | 0b | 0b |
| Peripheral LS | 10b | 1b | 00b | 0b | 0b | 0b | 1b | 0b | 0b | 0b |
| Peripheral LS Suspend | 10b | 1b | 00b | 0b | 0b | 0b | 1b | 0b | 0b | 0b |
| Peripheral LS Resume | 10b | 1b | 10b | 0b | 0b | 0b | 1b | 0b | 0b | 0b |
| Peripheral Test J/Test K | 00b | 0b | 10b | 0b | 0b | 0b | 0b | 0b | 0b | 1b |
| OTG device, Peripheral Chirp | 00b | 1b | 10b | 0b | 1b | 1b | 0b | 0b | 1b | 0b |
| OTG device, Peripheral HS | 00b | 0b | 00b | 0b | 1b | 0b | 0b | 0b | 1b | 1b |

TABLE 5-1: DP/DM TERMINATION VS. SIGNALING MODE (CONTINUED)

| Signaling Mode | ULPI Register Settings | | | | | USB3370 Termination Resistor Settings | | | | |
|---|------------------------|------------|-------------|------------|------------|---------------------------------------|-----------|-----------|-----------|-----------|
| | XcvtSelect[1:0] | TermSelect | OpMode[1:0] | DpPulldown | DmPulldown | RPU_DP_EN | RPU_DM_EN | RPD_DP_EN | RPD_DM_EN | HSTERM_EN |
| OTG device, Peripheral FS | 01b | 1b | 00b | 0b | 1b | 1b | 0b | 0b | 1b | 0b |
| OTG device, Peripheral HS/FS Suspend | 01b | 1b | 00b | 0b | 1b | 1b | 0b | 0b | 1b | 0b |
| OTG device, Peripheral HS/FS Resume | 01b | 1b | 10b | 0b | 1b | 1b | 0b | 0b | 1b | 0b |
| OTG device, Peripheral Test J/Test K | 00b | 0b | 10b | 0b | 1b | 0b | 0b | 0b | 1b | 1b |
| Charger Detection | | | | | | | | | | |
| Connect Detect | 01b | 0b | 00b | 0b | 1b | 0b | 0b | 0b | 1b | 0b |
| Any combination not defined above, Note 5-2 | | | | | | 0b | 0b | 1b | 1b | 0b |

Note 1: This is equivalent to Table 40, Section 4.4 of the ULPI 1.1 specification.

2: USB3370 does not support operation as an upstream hub port. See [Section 6.4.1.3](#).

Note 5-1 When **RESETB** = 0 The HS termination will tri-state the USB drivers

Note 5-2 The transceiver operation is not guaranteed in a combination that is not defined.

The USB3370 uses the 27% resistor E96 resistor tolerances. The resistor values are shown in [Table 4-5](#).

5.3 Bias Generator

This block consists of an internal bandgap reference circuit used for generating the driver current and the biasing of the analog circuits. This block requires an external 10KΩ, 1% tolerance, reference resistor connected from **RBIAS** to ground. This resistor should be placed as close as possible to the USB3370 to minimize the trace length. The nominal voltage at **RBIAS** is 0.8V +/- 10% and therefore the resistor will dissipate approximately 80μW of power.

5.4 Crystal Reference Support

The USB3370 provides support for a crystal to provide the reference frequency required by the device in place of a clock oscillator. The crystal should be connected to the REFCLK/XI and XO pins. If a clock oscillator is used in place of a crystal, it should be driven into the REFCLK/XI pin, and the XO pin should be left floating. Proper care should be taken to ensure that a crystal is selected with appropriate power dissipation characteristics.

5.5 Integrated Low Jitter PLL

The USB3370 uses an integrated low jitter phase locked loop (PLL) to provide a clean 480MHz clock required for HS USB signal quality. This clock is used by the PHY during both transmit and receive. The USB3370 PLL requires an accurate frequency reference to be driven on the **REFCLK** pin.

5.5.1 REFCLK FREQUENCY SELECTION

The USB3370 PLL is designed to operate in one of two reference clock modes. In the first mode, the 60MHz ULPI clock is driven on the **REFCLK** pin. In the second mode a reference clock is driven on the **REFCLK** pin. The Link is driving the ULPI clock, in the first mode, and this is referred to as **ULPI Clock Input Mode**. In the second mode, the USB3370 generates the ULPI clock, and this is referred to as **ULPI Clock Output Mode**.

During start-up, the USB3370 monitors the **CLKOUT** pin. If a connection to **VDDIO** is detected, the USB3370 is configured for a 60MHz ULPI reference clock driven on the **REFCLK** pin. [Section 5.5.1.1](#) and [Section 5.5.1.2](#) describe how to configure the USB3370 for either ULPI Clock Input Mode or ULPI Clock Output Mode.

USB3370

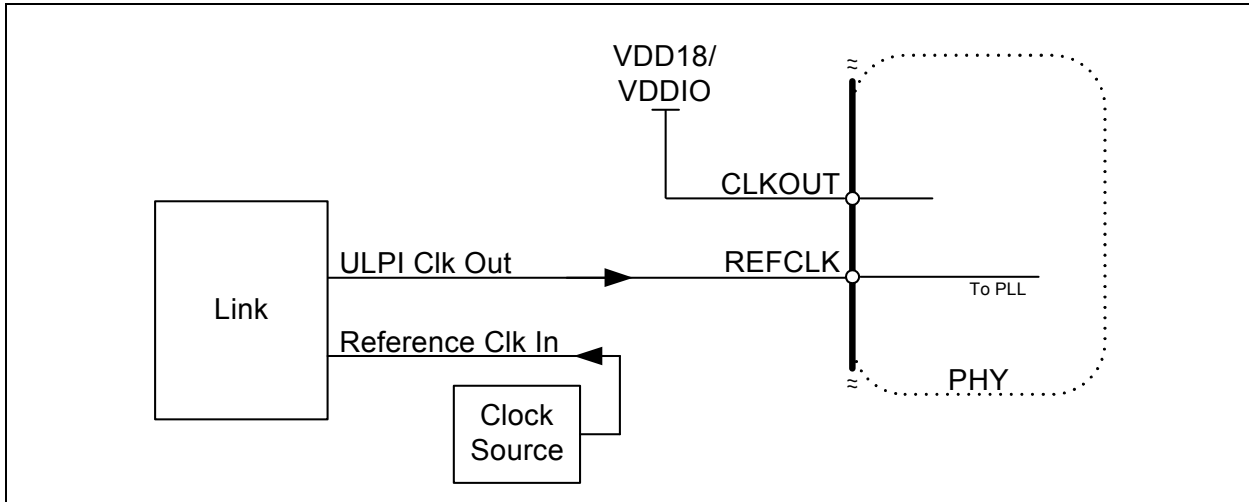
5.5.1.1 ULPI Clock Input Mode (60MHz REFCLK Mode)

When using ULPI Clock Input Mode, the Link must supply the 60MHz ULPI clock to the USB3370. In this mode the 60MHz ULPI Clock is connected to the **REFCLK** pin, and the **CLKOUT** pin is tied high to **VDDIO**.

After the PLL has locked to the correct frequency, the USB3370 will de-assert **DIR** and the Link can begin using the ULPI interface. The USB3370 is ensured to start the clock within the time specified in [Table 4-2](#). For Host applications, the ULPI *AutoResume* bit should be enabled. This is described in [Section 6.4.1.4](#).

For the USB3370, the REF pins should be tied to ground.

FIGURE 5-2: CONFIGURING THE USB3370 FOR ULPI CLOCK INPUT MODE (60 MHZ)



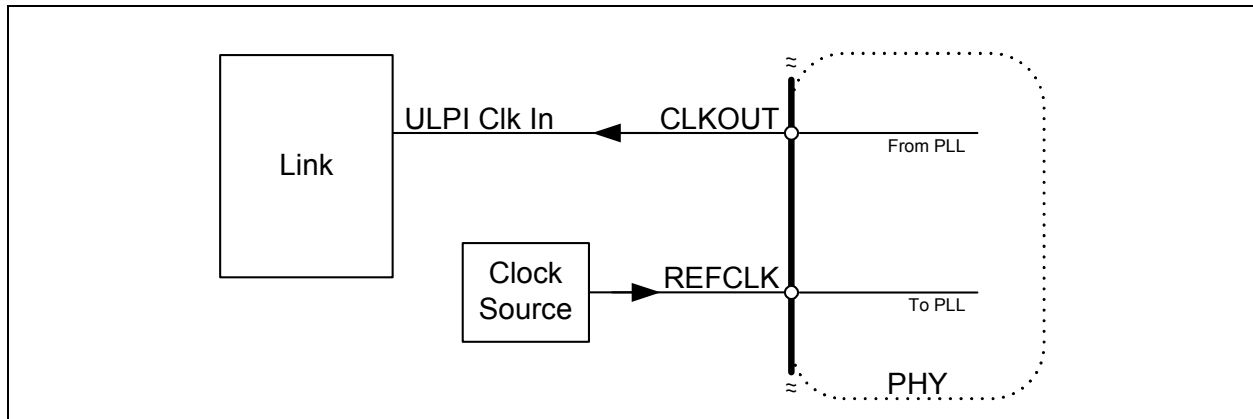
5.5.1.2 ULPI Clock Output Mode

When using ULPI Clock Output Mode, the USB3370 generates the 60MHz ULPI clock used by the Link. In this mode, the **REFCLK** pin must be driven with the model-specific frequency, and the **CLKOUT** pin sources the 60MHz ULPI clock to the Link. When using ULPI Clock Output Mode, the system must not drive the **CLKOUT** pin following POR or hardware reset with a voltage that exceeds the value of V_{IH_ED} provided in [Table 4-3](#). An example of ULPI Clock Output Mode is shown in [Figure 8-1](#)

After the PLL has locked to the correct frequency, the USB3370 generates the 60MHz ULPI clock on the **CLKOUT** pin, and de-asserts **DIR** to indicate that the PLL is locked. The USB3370 is ensured to start the clock within the time specified in [Table 4-2](#), and it will be accurate to within $\pm 500\text{ppm}$. For Host applications the ULPI *AutoResume* bit should be enabled. This is described in [Section 6.4.1.4](#).

When using ULPI Clock Output Mode, the edges of the reference clock do not need to be aligned in any way to the ULPI interface signals. There is no need to align the phase of the **REFCLK** and the **CLKOUT**.

FIGURE 5-3: CONFIGURING THE USB3370 FOR ULPI CLOCK OUTPUT MODE



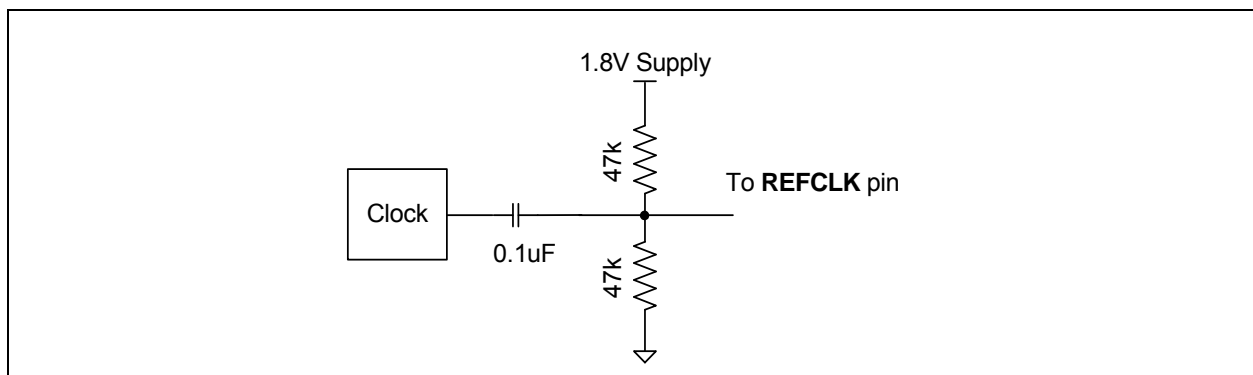
5.5.2 REFCLK AMPLITUDE

The reference clock should be connected to the **REFCLK** pin as shown in the application diagrams, [Figure 8-1](#). The **REFCLK** pin is designed to be driven with a square wave from 0V to **VDDIO**, but can be driven with a square wave from 0V to as high as 3.6V. The USB3370 uses only the positive edge of the **REFCLK**.

If a digital reference is not available, the **REFCLK** pin can be driven by an analog sine wave that is AC coupled into the **REFCLK** pin. If using an analog clock the DC bias should be set at the mid-point of the **VDD18** supply using a bias circuit as shown in [Figure 5-4](#). The amplitude must be greater than 300mV peak to peak. The component values provided in [Figure 5-4](#) are for example only. The actual values should be selected to satisfy system requirements.

The **REFCLK** amplitude must comply with the signal amplitudes shown in [Table 4-4](#) and the duty cycle in [Table 4-2](#).

FIGURE 5-4: EXAMPLE OF CIRCUIT USED TO SHIFT A REFERENCE CLOCK COMMON-MODE VOLTAGE LEVEL



5.5.3 REFCLK JITTER

The USB3370 is tolerant to jitter on the reference clock. The **REFCLK** jitter should be limited to a peak to peak jitter of less than 1nS over a 10uS time interval. If this level of jitter is exceeded when configured for either ULPI Clock Input Mode or ULPI Clock Output Mode, the USB3370 High Speed eye diagram may be degraded.

The frequency accuracy of the **REFCLK** must meet the +/- 500ppm requirement as shown in [Table 4-2](#).

USB3370

5.5.4 REFCLK ENABLE/DISABLE

The **REFCLK** should be enabled when the **RESETB** pin is brought high. The ULPI interface will start running after the time specified in [Table 4-2](#). If the reference clock enable is delayed relative to the **RESETB** pin, the ULPI interface will start operation delayed by the same amount. The reference clock can be run at anytime the **RESETB** pin is low without causing the USB3370 to start-up or draw current.

When the USB3370 is placed in Low Power Mode or CarKit Mode, the reference clock can be stopped after the final ULPI register write is complete. The **STP** pin is asserted to bring the USB3370 out of Low Power Mode. The reference clock should be started at the same time **STP** is asserted to minimize the USB3370 start-up time.

If the reference clock is stopped while in ULPI Synchronous mode the PLL will come out of lock and the frequency of oscillation will decrease to the minimum allowed by the PLL design. If the reference clock is stopped during a USB session, the session may drop.

5.6 Internal Regulators and POR

The USB3370 includes integrated power management functions, including a Low-Dropout regulator that can be used to generate the 3.3V USB supply, an integrated 1.8V regulator, and a POR generator described in [Section 5.6.2](#).

5.6.1 INTEGRATED LOW DROPOUT REGULATORS

The USB3370 includes two integrated linear regulators. Power sourced at the **VBAT** pin is regulated to 3.3V and 1.8V output on the **VDD33** and **VDD18** pins. To ensure stability, both regulators require an external bypass capacitor as specified in [Table 4-10](#) placed as close to the pin as possible.

The USB3370 regulators are designed to generate the 3.3 Volt and 1.8 Volt supplies for the USB3370 only. Using the regulators to provide current for other circuits is not recommended and Microchip does not guarantee USB performance or regulator stability.

During USB UART mode the 3.3V regulator output voltage can be changed to allow the USB3370 to work with UARTs operating at different operating voltages. The 3.3V regulator output is configured to the voltages shown in [Table 4-10](#) with the *UART RegOutput[1:0]* bits in the [USB IO & Power Management](#) register.

The regulators are enabled by the **RESETB** pin. When **RESETB** pin is low both regulators are disabled and the regulator outputs are pulled low by weak pull-down. The **RESETB** pin must be brought high to enable the regulators.

For peripheral-only or host-only bus-powered applications, the input to **VBAT** may be derived from the VBUS pin of the USB connector. In this configuration, the supply must be capable of withstanding any transient voltage present at the VBUS pin of the USB connector. Microchip does not recommend connecting the **VBAT** pin to the VBUS terminal of the USB connector.

5.6.2 POWER ON RESET (POR)

The USB3370 provides a POR circuit that generates an internal reset pulse after the **VDD18** supply is stable. After the internal POR goes high the USB3370 will release from reset and begin normal ULPI operation as described in [Section 5.6.4](#).

The ULPI registers will power up in their default state summarized in [Table 7-1](#) when the 1.8V supply comes up. Cycling the **RESETB** pin can also be used to reset the ULPI registers to their default state (and reset all internal state machines) by bringing the pin low for a minimum of 1 microsecond and then high. It is not necessary to wait for the **VDD33** and **VDD18** pins to discharge to 0 volts to reset the part.

The **RESETB** pin must be pulled high to enable the 3.3V and 1.8V regulators. A pull-down resistor is not present on the **RESETB** pin and therefore the system should drive the **RESETB** pin to the desired state at all times. If the system does not need to place the USB3370 into reset mode the **RESETB** pin can be connected to a supply between 1.8V and 3.3V.

5.6.3 RECOMMENDED POWER SUPPLY SEQUENCE

For USB operation, the USB3370 requires a valid voltage on the **VBAT** and **VDDIO** pins. The **VDD33** and **VDD18** regulators are automatically enabled when the **RESETB** pin is brought high. For the USB3343, [Table 5-2](#) presents the power supply configurations in more detail.

The **RESETB** pin can be held low until the **VBAT** supply is stable. If the Link is not ready to interface the USB3370, the Link may choose to hold the **RESETB** pin low until it is ready to control the ULPI interface.

TABLE 5-2: OPERATING MODE VS. POWER SUPPLY CONFIGURATION

| VBAT | VDDIO | RESETB | Operating Modes Available |
|------|-------|--------|---|
| 0 | 0 | 0 | Powered Off |
| 1 | X | 0 | RESET Mode. (Note 5-3) |
| 1 | 1 | 1 | Full USB operation as described in Section 6.0. |

Note 5-3 VDDIO must be present for ULPI pins to tri-state.

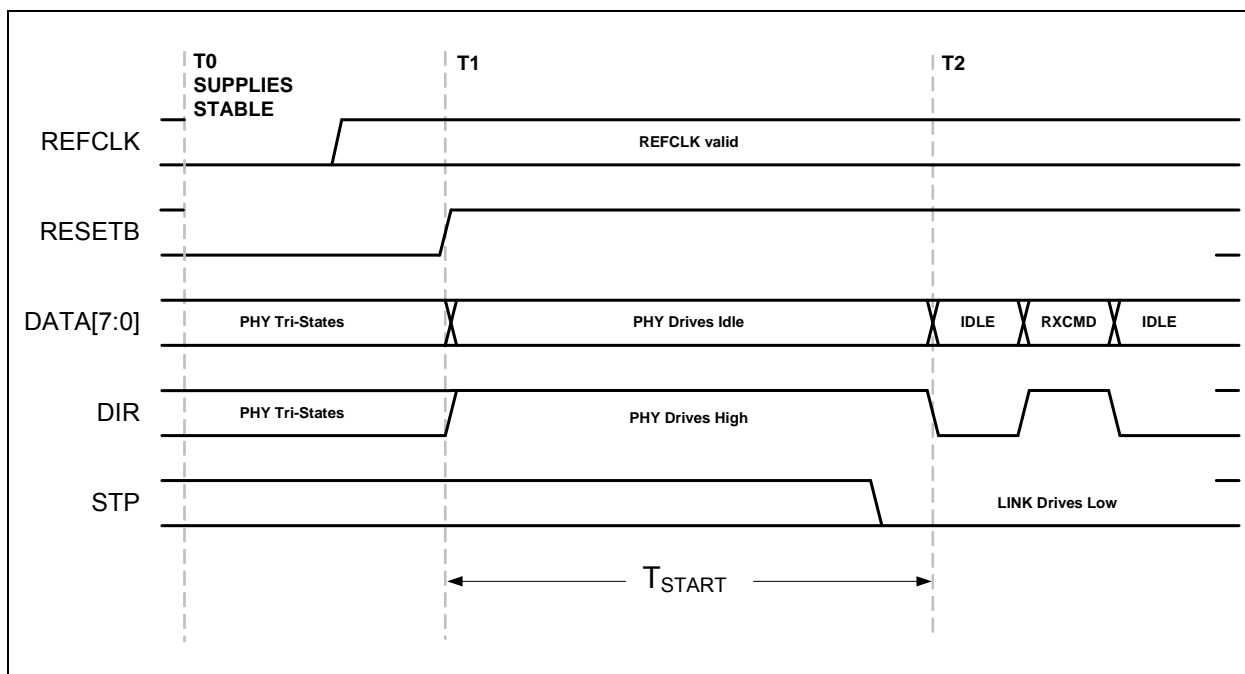
5.6.4 START-UP

The power on default state of the USB3370 is ULPI Synchronous mode. The USB3370 requires the following conditions to begin operation: the power supplies must be stable, the **REFCLK** must be present and the **RESETB** pin must be high. After these conditions are met, the USB3370 will begin ULPI operation that is described in Section 6.0.

Figure 5-5 below shows a timing diagram to illustrate the start-up of the USB3370. At T0, the supplies are stable and the USB3370 is held in reset mode. At T1, the Link drives **RESETB** high after the **REFCLK** has started. The **RESETB** pin may be brought high asynchronously to **REFCLK**. Once, the 3.3V and 1.8V internal supplies become stable the USB3370 will apply the 15Kohm pull downs to the data bus and assert **DIR** until the internal PLL has locked. After the PLL has locked, the USB3370 will check that the Link has de-asserted **STP** and at T2 it will de-assert **DIR** and begin ULPI operation.

The ULPI bus will be available as shown in Figure 5-5 in the time defined as T_{START} given in Table 4-2. If the **REFCLK** signal starts after the **RESETB** pin is brought high, then time T0 will begin when **REFCLK** starts. T_{START} also assumes that the Link has de-asserted **STP**. If the Link has held **STP** high the USB3370 will hold **DIR** high until **STP** is de-asserted. When the LINK de-asserts **STP**, it must be ready drive the ULPI data bus to idle (00h) for a minimum of one clock cycle after **DIR** de-asserts.

FIGURE 5-5: ULPI START-UP TIMING



USB3370

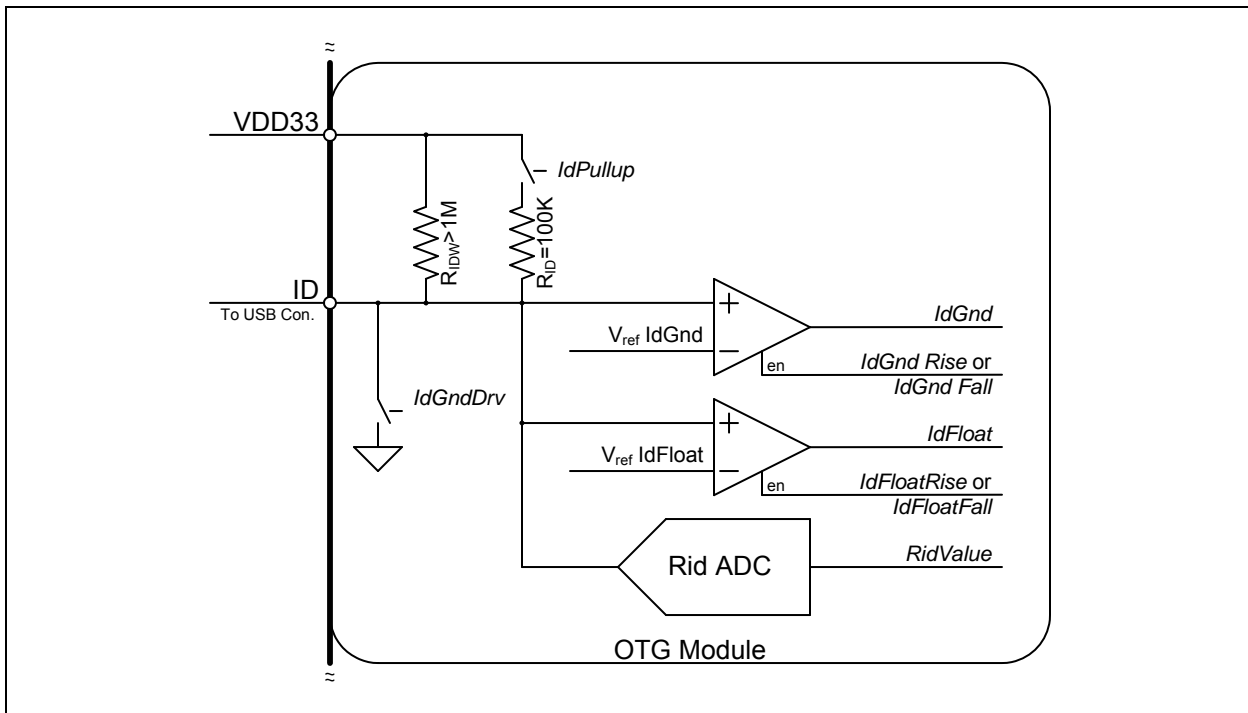
5.7 USB On-The-Go (OTG)

The USB3370 provides support for the USB OTG protocol. OTG allows the USB3370 to be dynamically configured as a host or peripheral depending on the type of cable inserted into the Micro-AB receptacle. When the Micro-A plug of a cable is inserted into the Micro-AB receptacle, the USB device becomes the A-device. When a Micro-B plug is inserted, the device becomes the B-device. The OTG A-device behaves similar to a Host while the B-device behaves similar to a peripheral. The differences are covered in the “On-The-Go Supplement to the USB 2.0 Specification”. In applications where only USB Host or USB Peripheral is required, the OTG Module is unused.

5.7.1 ID RESISTOR DETECTION

The ID pin of the USB connector is monitored by the ID pin of the USB3370 to detect the attachment of different types of USB devices and cables. For device only applications that do not use the ID signal the ID pin should be connected to VDD33. The block diagram of the ID detection circuitry is shown in Figure 5-6 and the related parameters are given in Table 4-8.

FIGURE 5-6: USB3370 ID RESISTOR DETECTION CIRCUITRY



5.7.1.1 USB OTG Operation

The USB3370 can detect ID grounded and ID floating to determine if an A or B cable has been inserted. The A plug will ground the ID pin while the B plug will float the ID pin. These are the only two valid states allowed in the OTG Protocol.

To monitor the status of the ID pin, the Link activates the $IdPullup$ bit in the OTG Control register, waits 50ms and then reads the status of the $IdGnd$ bit in the USB Interrupt Status register. If an A cable has been inserted the $IdGnd$ bit will read 0. If a B cable is inserted, the ID pin is floating and the $IdGnd$ bit will read 1.

The USB3370 provides an integrated weak pull-up resistor on the ID pin, R_{IDW} . This resistor is present to keep the ID pin in a known state when the $IdPullup$ bit is disabled and the ID pin is floated. In addition to keeping the ID pin in a known state, it enables the USB3370 to generate an interrupt to inform the link when a cable with a resistor to ground has been attached to the ID pin. The weak pull-up is small enough that the largest valid RID resistor pulls the ID pin low and causes the $IdGnd$ comparator to go low.

After the link has detected an ID pin state change, the RID converter can be used to determine the resistor value as described in Section 5.7.1.2.

5.7.1.2 Measuring ID Resistance to Ground

The Link can use the integrated resistance measurement capabilities of the USB3370 to determine the value of an ID resistance to ground. The following table details the valid values of resistance to ground that the USB3370 can detect.

FIGURE 5-7: VALID VALUES OF ID RESISTANCE TO GROUND

| ID Resistance to Ground | Rid Value |
|-------------------------|-----------|
| Ground | 000 |
| 75Ω +/-1% | 001 |
| 102kΩ +/-1% | 010 |
| 200kΩ +/-1% | 011 |
| Floating | 101 |

Note: IdPullUp = 0

The ID resistance to ground can be read while the USB3370 is in Synchronous Mode. When a resistor to ground is attached to the ID pin, the state of the IdGnd comparator will change. After the Link has detected ID transition to ground, it can use the methods described in [Section 6.8](#) to operate the Rid converter.

5.7.1.3 Using IdFloat Comparator (not recommended).

Note: The ULPI specification details a method to detect a 102kΩ resistance to ground using the IdFloat comparator. This method can only detect 0ohms, 102kΩ, and floating terminations of the ID pin. Due to this limitation it is recommended to use the RID Converter as described in [Section 5.7.1.2](#).

The ID pin can be either grounded, floated, or connected to ground with a 102kΩ external resistor. To detect the 102K resistor, set the *idPullup* bit in the [OTG Control](#) register, causing the USB3370 to apply the 100K internal pull-up connected between the ID pin and VDD33. Set the *idFloatRise* and *idFloatFall* bits in the [Carkit Interrupt Enable](#) register to enable the IdFloat comparator to generate an RXCMD to the Link when the state of the IdFloat changes. As described in [Figure 6-3](#), the alt_int bit of the RXCMD will be set. The values of IdGnd and IdFloat are shown for the three types cables that can attach to the USB Connector in [Table 5-3](#).

TABLE 5-3: IDGND AND IDFLOAT VS. ID RESISTANCE TO GROUND

| ID Resistance | IDGND | IDFLOAT |
|---------------|-------|---------|
| Float | 1 | 1 |
| 102K | 1 | 0 |
| GND | 0 | 0 |

Note: The ULPI register bits *IdPullUp*, *IdFloatRise*, and *IdFloatFall* should be enabled.

To save current when an A Plug is inserted, the internal 102kΩ pull-up resistor can be disabled by clearing the *IdPullUp* bit in the [OTG Control](#) register and the *IdFloatRise* and *IdFloatFall* bits in both the [USB Interrupt Enable Rising](#) and [USB Interrupt Enable Falling](#) registers. If the cable is removed the weak R_{IDW} will pull the ID pin high.

The *IdGnd* value can be read using the ULPI [USB Interrupt Status](#) register, bit 4. In host mode, it can be set to generate an interrupt when *IdGnd* changes by setting the appropriate bits in the [USB Interrupt Enable Rising](#) and [USB Interrupt Enable Falling](#) registers. The *IdFloat* value can be read by reading the ULPI [Carkit Interrupt Status](#) register bit 0.

Note: The IdGnd switch has been provided to ground the ID pin for future applications.

USB3370

5.7.2 VBUS MONITORING AND VBUS PULSING

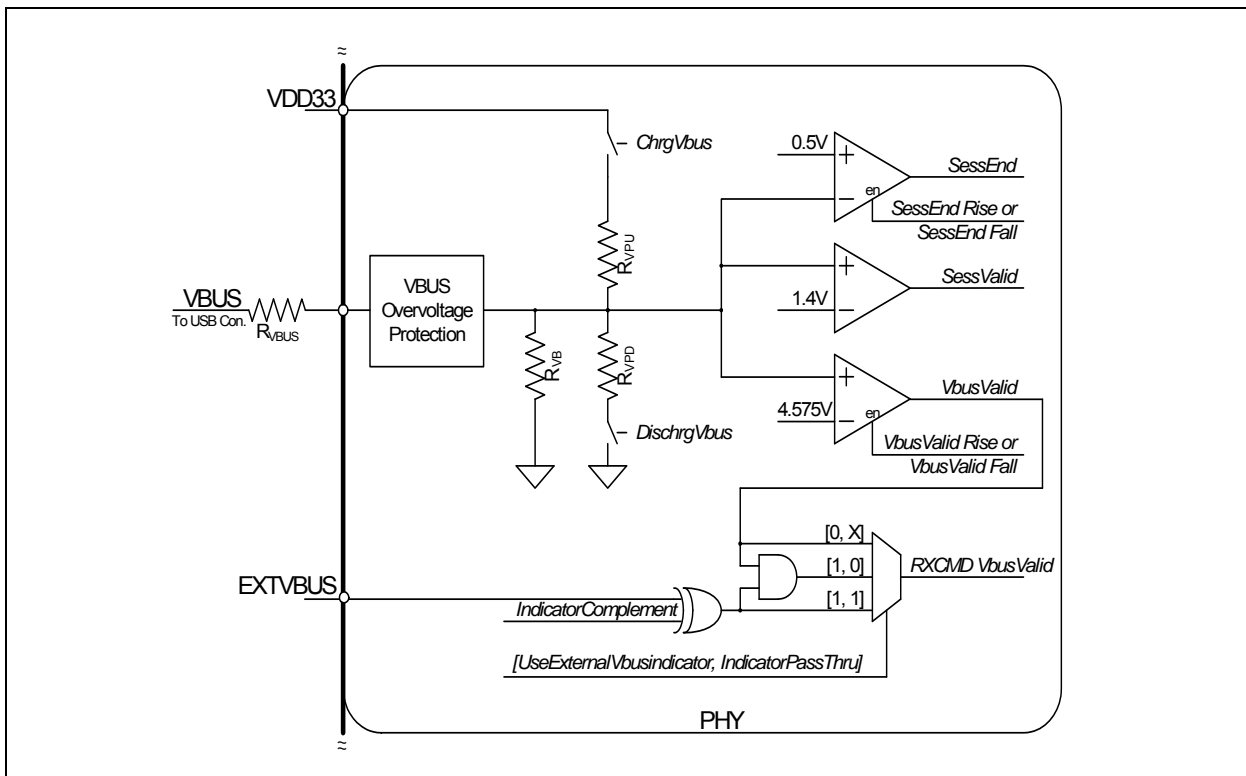
The USB3370 includes all of the VBUS comparators required for OTG. The VBUSVId, SessVId, and SessEnd comparators shown in Figure 5-8 are fully integrated into the USB3370. These comparators are used to monitor changes in the VBUS voltage, and the state of each comparator can be read from the [USB Interrupt Status](#) register.

The VBUSVId comparator is used by the Link, when configured as an A device, to ensure that the VBUS voltage on the cable is valid. The SessVId comparator is used by the Link when configured as both an A or B device to indicate a session is requested or valid. Finally the SessEnd comparator is used by the B-device to indicate a USB session has ended.

Also included in the VBUS Monitor and Pulsing block are the resistors used for VBUS pulsing in SRP. The resistors used for VBUS pulsing include a pull-down to ground and a pull-up to **VDD33**.

In some applications, voltages much greater than 5.5V may be present at the VBUS pin of the USB connector. The USB3370 includes an over voltage protection circuit that protects the **VBUS** pin of the USB3370 from excessive voltages as shown in Figure 5-8.

FIGURE 5-8: USB3370 OTG VBUS BLOCK



5.7.2.1 SessEnd Comparator

The SessEnd comparator is used during the Session Request Protocol (SRP). The comparator is used by the B-device to detect when a USB session has ended and it is safe to start VBUS Pulsing to request a USB session from the A-device. When VBUS goes below the threshold in Table 4-7, the USB session is considered to be ended, and SessEnd will transition from 0 to 1. The SessEnd comparator can be disabled by clearing this bit in both the [USB Interrupt Enable Rising](#) and [USB Interrupt Enable Falling](#) registers. When disabled, the SessEnd bit in the [USB Interrupt Status](#) register will read 0.

The SessEnd Comparator is only used when configured as an OTG device. If the USB3370 is used as a Host or Device only the SessEnd Comparator should be disabled, using the method described above.

5.7.3 SESSVLD COMPARATOR

The SessVld comparator is used when the PHY is configured as both an A and B device. When configured as an A device, the SessVld is used to detect Session Request protocol (SRP). When configured as a B device, SessVld is used to detect the presence of VBUS. The SessVld comparator output can also be read from the [USB Interrupt Status](#) register. The SessVld comparator will also generate an RX CMD, as detailed in [Section 6.3.1](#), anytime the comparator changes state. The SessVld interrupts can be disabled by clearing this bit in both the [USB Interrupt Enable Rising](#) and [USB Interrupt Enable Falling](#) registers. When the interrupts are disabled, the SessVld comparator is still operational and will generate RX CMD's. The SessVld comparator trip point is detailed in [Table 4-8](#).

Note: The OTG Supplement specifies a voltage range for A-Device Session Valid and B-Device Session Valid comparator. The USB3370 PHY combines the two comparators into one and uses the narrower threshold range.

5.7.3.1 VbusVld Comparator

The VbusVld comparator is only used when the USB3370 is configured as a host that can supply less than 100mA VBUS current. In the USB protocol, the A-device supplies the VBUS voltage and is responsible to ensure it remains within a specified voltage range. The VbusVld comparator can be disabled by clearing this bit in both the [USB Interrupt Enable Rising](#) and [USB Interrupt Enable Falling](#) registers. When disabled, bit 1 of the [USB Interrupt Status](#) register will return a 0. The VbusVld comparator threshold values are detailed in [Table 4-8](#).

If the USB3370 is used as a Device only the VbusValid Comparator should be disabled, using the method described above.

The USB3370 includes the external VbusVld indicator logic as detailed in the ULPI Specification. The external VbusVld indicator is tied to a logic one. The decoding of this logic is shown in [Table 5-4](#) below. By default this logic is disabled.

TABLE 5-4: EXTERNAL VBUS INDICATOR LOGIC

| Typical Application | Use External VBUS Indicator | Indicator Pass Thru | Indicator Complement | RXCMD VBUS Valid Encoding Source |
|---------------------|-----------------------------|---------------------|----------------------|--|
| OTG Device | 0 | X | X | Internal VbusVld comparator (Default) |
| | 1 | 1 | 0 | Fixed 1 |
| | 1 | 1 | 1 | Fixed 0 |
| | 1 | 0 | 0 | Internal VbusVld comparator. |
| | 1 | 0 | 1 | Fixed 0 |
| Standard Host | 1 | 1 | 0 | Fixed 1 |
| | 1 | 1 | 1 | Fixed 0 |
| Standard Peripheral | 0 | X | X | Internal VbusVld comparator. This information should not be used by the Link. (Note 5-4) |

Note 5-4 A peripheral should not use VbusVld to begin operation. The peripheral should use SessVld to detect the presence of VBUS on the USB connector. VbusVld should only be used for USB Host and OTG A-device applications.

5.7.3.2 VBUS Pulsing with Pull-up and Pull-down Resistors

In addition to the internal VBUS comparators, the USB3370 also includes the integrated VBUS pull-up and pull-down resistors used for VBUS Pulsing during OTG Session Request Protocol. To discharge the VBUS voltage so that a Session Request can begin, the USB3370 provides a pull-down resistor from **VBUS** to **GND**. This resistor is controlled by the *DischargeVbus* bit 3 of the [OTG Control](#) register. The pull-up resistor is connected between VBUS and VDD33. This resistor is used to pull VBUS above 2.1 volts so that the A-Device knows that a USB session has been requested. The state of the pull-up resistor is controlled by the bit 4 *ChargeVbus* of the [OTG Control](#) register. The Pull-Up and Pull-Down resistor values are detailed in [Table 4-8](#).

The internal VBUS Pull-up and Pull-down resistors are designed to include the R_{VBUS} external resistor in series. This external resistor is used by the VBUS Over voltage protection described below.

USB3370

5.7.3.3 VBUS Input Impedance

The OTG Supplement requires an A-Device that supports Session Request Protocol to have a VBUS input impedance less than 100kΩ and greater the 40kΩ to ground. The USB3370 provides a 75kΩ resistance to ground, R_{VB} . The R_{VB} resistor tolerance is detailed in [Table 4-8](#).

5.7.3.4 VBUS Over Voltage Protection (OVP)

The USB3370 provides an integrated over voltage protection circuit to protect the **VBUS** pin from excessive voltages that may be present at the USB connector. The over voltage protection circuit works with an external resistor (R_{VBUS}) by drawing current across the resistor to reduce the voltage at the **VBUS** pin.

When voltage at the **VBUS** pin exceeds 5.5V, the Over voltage Protection block will sink current to ground until VBUS is below 5.5V. The current drops the excess voltage across R_{VBUS} and protects the USB3370 **VBUS** pin. The required R_{VBUS} value is dependent on the operating mode of the USB3370 as shown in [Table 5-5](#).

TABLE 5-5: REQUIRED R_{VBUS} RESISTOR VALUE

| Operating Mode | R_{VBUS} |
|--|------------|
| Device only | 20kΩ ±5% |
| OTG Host Capable of less than 100mA of current on VBUS | 1kΩ ±5% |
| Host or OTG Host capable of >100mA UseExternalVbusIndicator = 1 | 20kΩ ±5% |

The Over voltage Protection circuit is designed to protect the USB3370 from continuous voltages up to 30V on the R_{VBUS} resistor.

The R_{VBUS} resistor must be sized to handle the power dissipated across the resistor. The resistor power can be found using the equation below:

$$P_{R_{VBUS}} = \frac{(V_{protect} - 5.0)^2}{R_{VBUS}}$$

Where:

- $V_{protect}$ is the VBUS protection required.
- R_{VBUS} is the resistor value, 1kΩ or 20kΩ.
- $P_{R_{VBUS}}$ is the required power rating of R_{VBUS} .

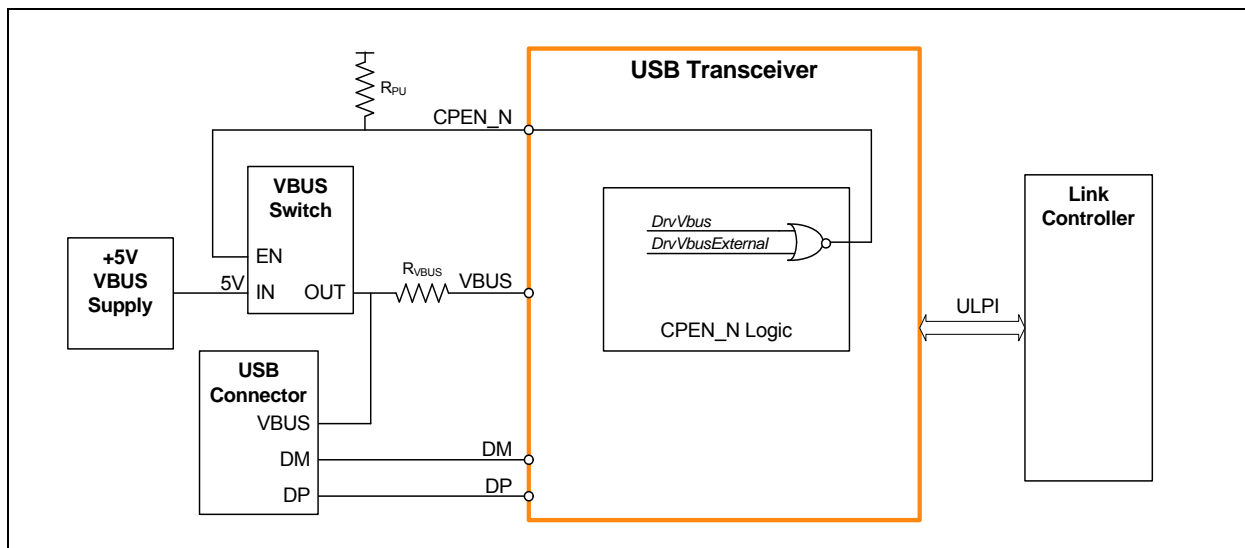
For example, protecting a peripheral or device only application to 15V would require a 20kΩ R_{VBUS} resistor with a power rating of 0.05W. To protect an OTG product to 15V would require a 1kΩ R_{VBUS} resistor with a power rating of 0.1W.

5.7.4 DRIVING EXTERNAL VBUS

The USB3370 monitors VBUS as described in [VBUS Monitoring and VBUS Pulsing](#). For OTG and Host applications, the system is required to source 5 Volts on VBUS. The USB3370 fully supports VBUS power control using an external VBUS switch. The USB3370 provides an open drain active low control signal, **CPEN_N**, that is dedicated to controlling the VBUS supply when configured as an A-Device.

CPEN_N is driven by setting the *DrvVbus* or *DrvVbusExternal* bit of the [OTG Control](#) register. To be compatible with Link designs that support both internal and external VBUS supplies, the *DrvVbus* and *DrvVbusExternal* bits in the OTG Control Register are NOR'd together. This enables the Link to set either bit to access the external VBUS enable (**CPEN_N**). This logic is shown in [Figure 5-9](#). *DrvVbus* and *DrvVbusExternal* are set to 0 on [Power On Reset \(POR\)](#) as shown in [Section 7.1.1.7](#).

FIGURE 5-9: USB3370 DRIVES CONTROL SIGNAL (CPEN_N) TO EXTERNAL VBUS SWITCH



5.7.5 EXTERNAL VBUS INDICATOR

The USB3370 has fully implemented the External VBUS detection described in the ULPI 1.1 specification. The block diagram of the External VBUS detection is shown in [Figure 5-8](#) and in [Table 5-4](#).

TABLE 5-6: EXTERNAL VBUS INDICATOR LOGIC

| Typical Application | Use External VBUS Indicator | Indicator Pass Thru | Indicator Complement | RXCMD VBUS Valid Encoding Source |
|---------------------|-----------------------------|---------------------|----------------------|--|
| OTG Device | 0 | X | X | Internal VbusVld comparator (Default) |
| | 1 | 1 | 0 | External active high VbusVld signal |
| | 1 | 1 | 1 | External active low VbusVld signal |
| | 1 | 0 | 0 | External active high power fault signal qualified with internal VbusVld comparator. (Note 5-5) |
| | 1 | 0 | 1 | External active low power fault signal qualified with internal VbusVld comparator. (Note 5-5) |
| Standard Host | 1 | 1 | 0 | External active high power fault signal |
| | 1 | 1 | 1 | External active low power fault signal |
| Standard Peripheral | 0 | X | X | Internal VbusVld comparator. This should not be used by the Link. (Note 5-6) |

Note 5-5 Microchip does not recommend using the ExternalVbus signal qualified with the internal VbusVld comparator.

Note 5-6 A peripheral should not use VbusVld to begin operation. The peripheral should use SessVld because the internal VbusVld threshold can be above the Vbus voltage required for USB peripheral operation.

A host PHY may use an active high or low fault by setting the *IndicatorComplement* bit [5] in the Interface Control register. Also this implementation supports the *IndicatorPassThru* bit [6] in the Interface Control register, which allows a choice of having the External Vbus input qualified (and'ed) with the external vbus comparator output. To use the External Vbus Input the *UseExternalVbusIndicator* bit [7] must be set in the OTG control register. The default is not to use this input.

The EXTVBUS pin has a built in pull down resistor that is controlled by the *UseExternalVbusIndicator* bit [7] of the OTG control register. When *UseExternalVbusIndicator* is set to 0 (default) the pull down resistor is activated to prevent the pin from floating when it is unused. When *UseExternalVbusIndicator* is set to 1 the pull down resistor is disconnected.

USB3370

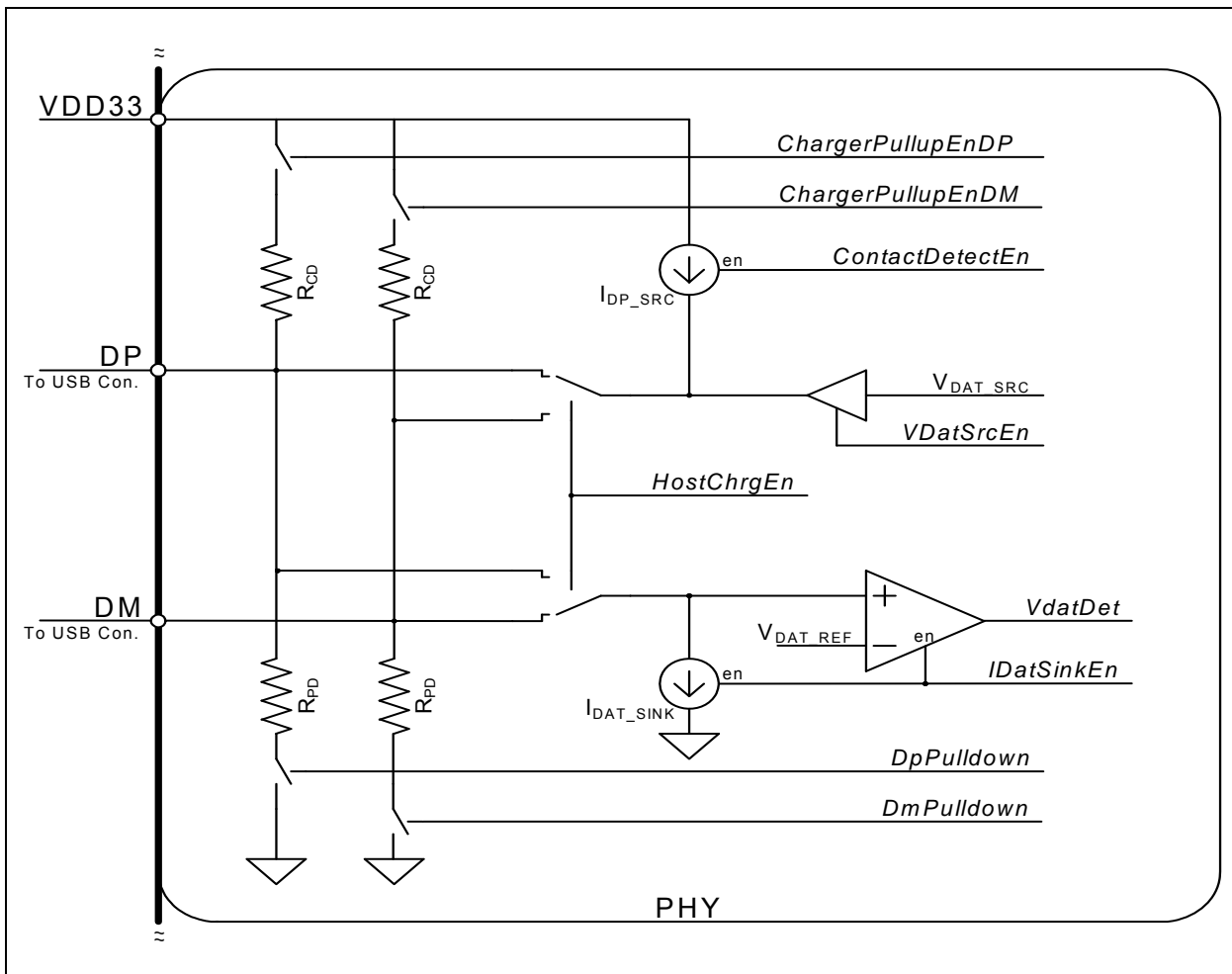
5.8 USB UART Support

The USB3370 provides support for the USB UART interface as detailed in the ULPI specification and the former CEA-936A specification. The USB3370 can be placed in UART Mode using the method described in [Section 6.7](#), and the regulator output will automatically switch to the value configured by the *UART RegOutput bits in the USB IO & Power Management* register. While in UART mode, the Linestate signals cannot be monitored on the DATA[0] and DATA[1] pins.

5.9 USB Charger Detection Support

The following blocks allow the USB3370 to detect when a Battery Charger, Charging Host Port, or a USB Host is attached to the USB connector. The USB3370 can also be configured to appear as a Charging Host Port, all according to the USB-IF Battery Charging 1.1 specification. The charger detection circuitry should be disabled during USB operation.

FIGURE 5-10: USB CHARGER DETECTION BLOCK DIAGRAM



Note: The *italic names* in the [Figure 5-10](#) correspond to bits in the ULPI register set.

The charger detection circuitry runs from the VDD33 supply and requires that the VDD33 supply to be present to run the charger detection circuitry. The VDD33 supply is present anytime the RESETB pin is pulled high and VBAT is present. The charger detection circuits are fully functional while in Low Power Mode (*Suspendm* = 0). The status of the VdatDet can be relayed back to the Link through the ULPI interrupts in both Synchronous mode and Low Power Mode.

5.9.1 ACTIVE ANALOG CHARGER DETECTION (USB-IF BATTERY CHARGING 1.1)

The USB3370 includes the active analog charger detection specified in the USB-IF Battery Charging Specification. The additional analog circuitry will allow the USB3370 to:

1. Detect a Dedicated Charging Port (DCP) with the DP and DM pins shorted together.
2. Detect a Standard Downstream Port (SDP) which has no battery charging circuitry.
3. Detect a Charging Downstream Port (CDP) which actively supplies voltage to the DM pin when connected to a USB-IF BC 1.1 compatible device.
4. Behave as a Charging Downstream Port by enabling the voltage source on the DM pin.

The charger detection circuitry is shown in [Figure 5-10](#).

The *VdatDet* output is qualified with the *Linestate[1:0]* value. If the *Linestate* is not equal to 00 the *VdatDet* signal will not assert.

The proper detection process flows through different modes of detection and uses the *linestate* and *VdatDet* signals values to determine the connection. [Table 5-7](#) describes the bit values that need to be set to enter each mode.

TABLE 5-7: USB CHARGER SETTING VS. MODES

| Charger Detection Modes | VDATSRGEN | IDATSINKEN | CONTACTDETEN | HOSTCHRGEN | DPPULLDOWN | DMPULLDOWN |
|---|-----------|------------|--------------|------------|------------|------------|
| Device Connect Detect (The Connect Detect setting in Table 5-1 must be followed) | 0 | 0 | 1 | 0 | 0 | 1 |
| Device Charger Detection | 1 | 1 | 0 | 0 | 0 | 0 |
| Device Enhanced Charger Detection | 1 | 1 | 0 | 1 | 0 | 0 |
| Device USB Operation | 0 | 0 | 0 | 0 | 0 | 0 |
| Charging Host Port, no charging device attached and SE0 (<i>VdatDet</i> = 0) | 0 | 1 | 0 | 1 | 1 | 1 |
| Charging Host Port, charging device attached (<i>VdatDet</i> = 1) | 1 | 1 | 0 | 1 | 1 | 1 |
| Charging Host Port USB Operation | 0 | 0 | 0 | 1 | 1 | 1 |

5.9.1.1 Example Charger Detection Flow - Dedicated Charging Port

The USB-IF Battery Charging 1.1 specification describes in detail the flow for each charger type, but below is an example of the flow used to detect a Dedicated Charger (DCP).

1. Device detects VBUS voltage is present from RXCMD, (*SESS_VLD* is 1)
2. Device enters the *Device Connect Detect* mode.
 - If the *linestate* still equals 10 after a specified timeout, the charger is an unknown charger and there will be no attempted USB enumeration.
 - If the *linestate* equals 00 or 11, the device will go to the next mode:
3. Device enters *Device Charger Detection* mode.
 - If the *VdatDet* bit is 0 then the host is a Standard Downstream Port (SDP) and the device will draw the standard 500mA of current and enter the *Device USB Operation* mode.
 - If the *VdatDet* bit is 1 then the host is a charger that can supply at least 1.5A of current, the device will go to the next mode.
4. Device enters *Device Enhanced Charger Detection* mode.
 - If the *VdatDet* bit is 0 then the device is connected to a Charging Downstream Port (CDP) and the device will enter the *Device USB Operation* mode.
 - If the *VdatDet* bit is 1 then the device is connected to a Dedicated Charging Port (DCP) and the device will not try to enumerate.
5. The charger detection is complete.

USB3370

5.9.2 RESISTIVE CHARGER DETECTION

Note: The Resistive Charger Detection has been superseded by the [Active Analog Charger Detection \(USB-IF Battery Charging 1.1\)](#) detailed above. It is recommended that new designs use the [Active Analog Charger Detection \(USB-IF Battery Charging 1.1\)](#).

To support the detection and identification of different types of USB chargers the USB3370 provides integrated pull-up resistors, R_{CD} , on both **DP** and **DM**. These pull-up resistors along with the single ended receivers can be used to determine the type of USB charger attached. Reference information on implementing charger detection is provided in [Section 8.2](#).

TABLE 5-8: USB WEAK PULL-UP ENABLE

| RESETB | DP Pullup Enable | DM Pullup Enable |
|--------|------------------------------|------------------------------|
| 0 | 0 | 0 |
| 1 | <i>ChargerPullupEnableDP</i> | <i>ChargerPullupEnableDM</i> |

Note: *ChargerPullupEnableDP* and *ChargerPullupEnableDM* are enabled in the [USB IO & Power Management](#) register.

6.0 ULPI OPERATION

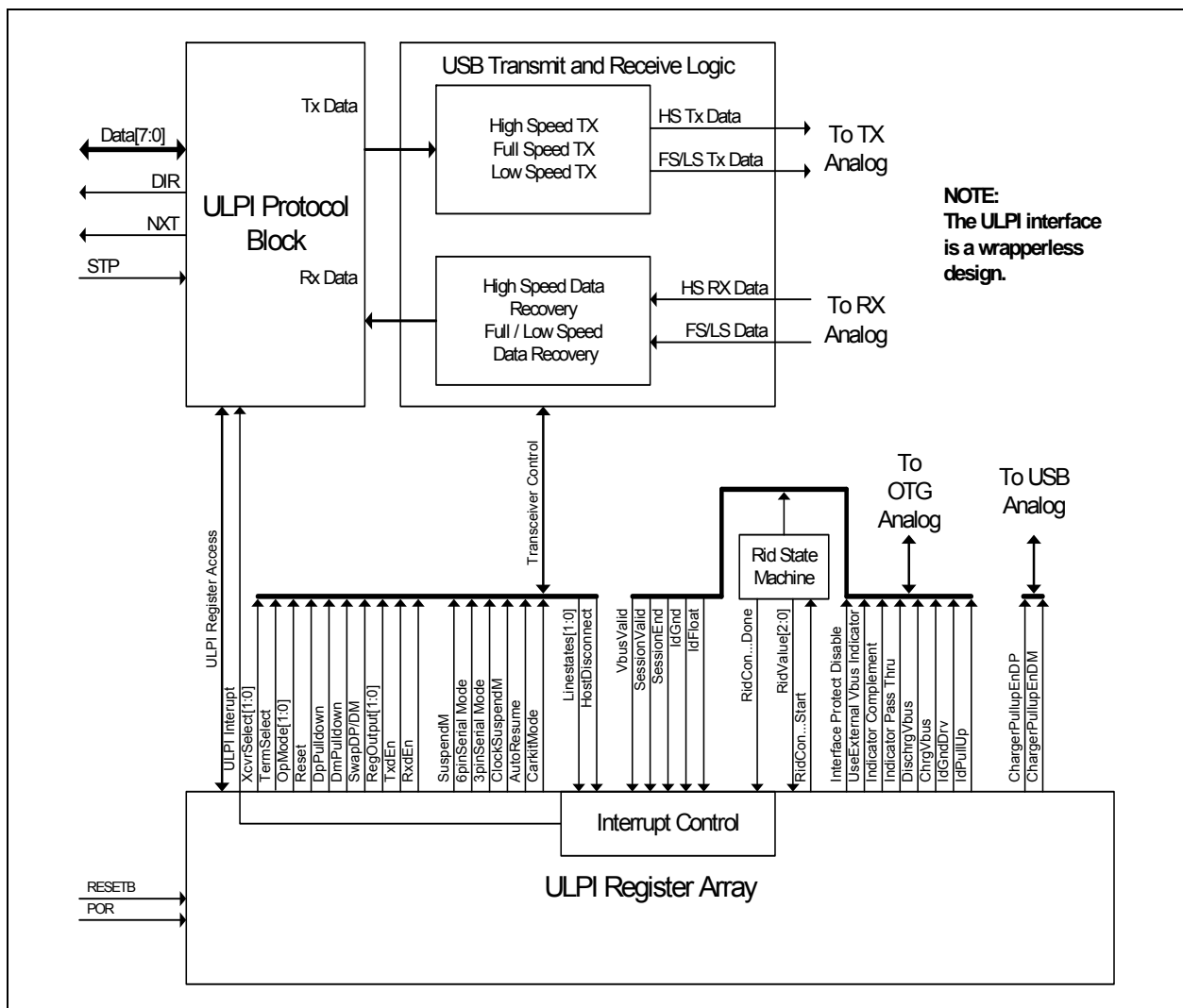
6.1 ULPI Introduction

The USB3370 uses the industry standard ULPI digital interface for communication between the transceiver and Link (device controller). The ULPI interface is designed to reduce the number of pins required to connect a discrete USB transceiver to an ASIC or digital controller. For example, a full UTMI+ Level 3 OTG interface requires 54 signals while a ULPI interface requires only 12 signals.

The ULPI interface is documented completely in the “UTMI+ Low Pin Interface (ULPI) Specification Revision 1.1”. The following sections describe the operating modes of the USB3370 digital interface. Enhanced Single Supply Hi-Speed USB ULPI Transceiver

Figure 6-1 illustrates the block diagram of the ULPI digital functions. It should be noted that this USB3370 does not use a “ULPI wrapper” around a UTMI+ PHY core as the ULPI specification implies.

FIGURE 6-1: ULPI DIGITAL BLOCK DIAGRAM



The advantage of a “wrapper-less” architecture is that the USB3370 has a lower USB latency than a design which must first register signals into the PHY’s wrapper before the transfer to the transceiver core. A low latency PHY allows a wrapper around a UTMI Link to be used and still make the required USB turn-around timing required by the USB 2.0 specification.

USB3370

RxEndDelay maximum allowed by the UTMI+/ULPI for 8-bit data is 63 Hi-Speed clocks. USB3370 uses a low latency Hi-Speed receiver path to lower the RxEndDelay to 43 Hi-Speed clocks. This low latency design gives the Link more cycles to make decisions and reduces the Link complexity. This is the result of the “wrapper less” architecture of the USB3370. This low RxEndDelay should allow legacy UTMI Links to use a “wrapper” to convert the UTMI+ interface to a ULPI interface.

In [Figure 6-1](#), a single ULPI Protocol Block decodes the ULPI 8-bit bi-directional bus when the Link addresses the PHY. The Link must use the **DIR** output to determine direction of the ULPI data bus. The USB3370 is the “bus arbitrator”. The ULPI Protocol Block will route data/commands to the transmitter or the ULPI register array.

6.1.1 ULPI INTERFACE SIGNALS

The UTMI+ Low Pin Interface (ULPI) uses a 12-pin interface to connect a USB Transceiver to an external Link. The reduction of external pins, relative to UTMI+, is accomplished implementing the relatively static configuration pins (i.e. xcvrselect[1:0], termselect, opmode[1:0], and DpPullDown DmPulldown) as an internal register array.

An 8-bit bi-directional data bus clocked at 60MHz allows the Link to access this internal register array and transfer USB packets to and from the PHY. The remaining 3 pins function to control the data flow and arbitrate the data bus.

Direction of the 8-bit data bus is controlled by the **DIR** output from the PHY. Another output, **NXT**, is used to control data flow into and out of the device. Finally, **STP**, which is in input to the PHY, terminates transfers and is used to start up and resume from Low Power Mode.

The ULPI Interface signals are described below in [Table 6-1](#).

TABLE 6-1: ULPI INTERFACE SIGNALS

| Signal | Direction | Description |
|------------------|-----------|---|
| CLK | I/O | 60MHz ULPI clock. All ULPI signals are driven synchronous to the rising edge of this clock. This clock can be either driven by the PHY or the Link as described in Section 5.5.1 |
| DATA[7:0] | I/O | 8-bit bi-directional data bus. Bus ownership is determined by DIR. The Link and PHY initiate data transfers by driving a non-zero pattern onto the data bus. ULPI defines interface timing for a single-edge data transfers with respect to rising edge of the ULPI clock. |
| DIR | OUT | Controls the direction of the data bus. When the PHY has data to transfer to the Link, it drives DIR high to take ownership of the bus. When the PHY has no data to transfer it drives DIR low and monitors the bus for commands from the Link. The PHY will pull DIR high whenever the interface cannot accept data from the Link, such as during PLL start-up. |
| STP | IN | The Link asserts STP for one clock cycle to stop the data stream currently on the bus. If the Link is sending data to the PHY, STP indicates the last byte of data was on the bus in the previous cycle. |
| NXT | OUT | The PHY asserts NXT to throttle the data. When the Link is sending data to the PHY, NXT indicates when the current byte has been accepted by the PHY. The Link places the next byte on the data bus in the following clock cycle. |

USB3370 implements a Single Data Rate (SDR) ULPI interface with all data transfers happening on the rising edge of the 60MHz ULPI Clock while operating in Synchronous Mode. The direction of the data bus is determined by the state of **DIR**. When **DIR** is high, the PHY is driving **DATA[7:0]**. When **DIR** is low, the Link is driving **DATA[7:0]**.

Each time DIR changes, a “turn-around” cycle occurs where neither the Link nor PHY drive the data bus for one clock cycle. During the “turn-around” cycle, the state of **DATA[7:0]** is unknown and the PHY will not read the data bus.

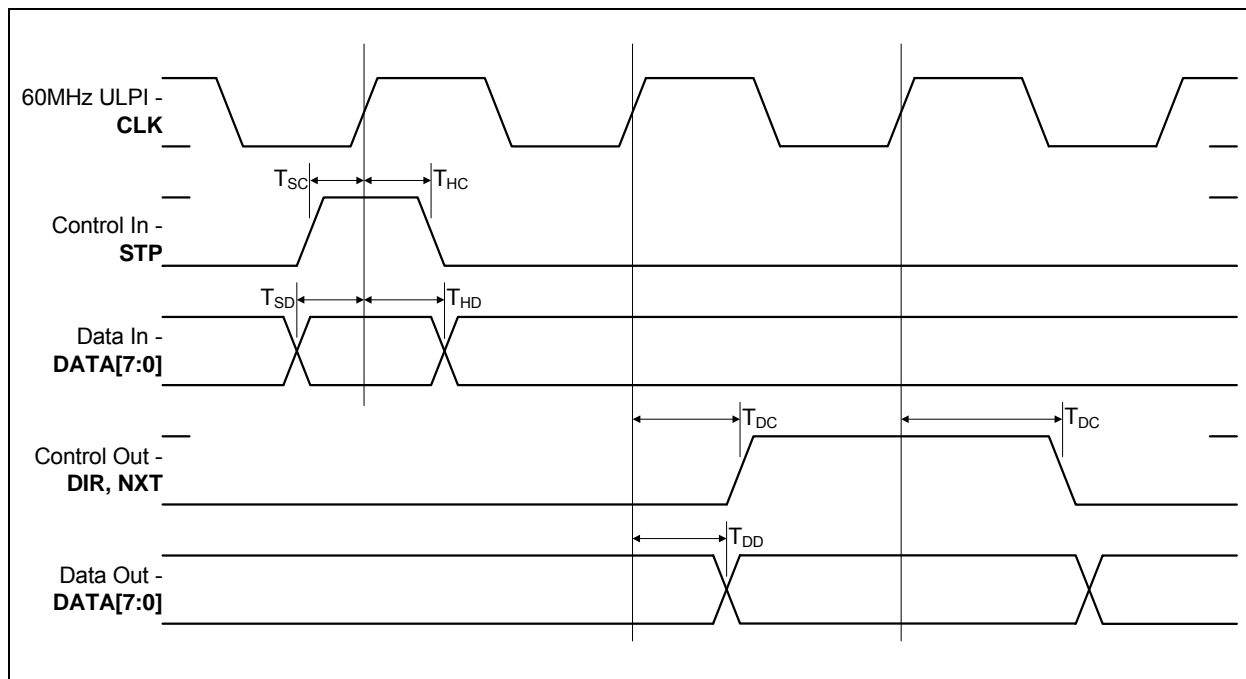
Because USB uses a bit-stuffing encoding, some means of allowing the PHY to throttle the USB transmit data is needed. The ULPI signal **NXT** is used to request the next byte to be placed on the data bus by the Link.

The ULPI interface supports the two basic modes of operation: Synchronous Mode and Asynchronous Mode. Asynchronous Mode includes Low Power Mode, the Serial Modes, and CarKit Mode. In Synchronous Mode, all signals change synchronously with the 60MHz ULPI clock. In asynchronous modes the clock is off and the ULPI bus is redefined to bring out the signals required for that particular mode of operations. The description of synchronous Mode is described in the following sections while the descriptions of the asynchronous modes are described in [Section 6.5](#), [Section 6.6](#), and [Section 6.7](#).

6.1.2 ULPI INTERFACE TIMING IN SYNCHRONOUS MODE

The control and data timing relationships are given in Figure 6-2 and Table 4-3. All timing is relative to the rising clock edge of the 60MHz ULPI Clock.

FIGURE 6-2: ULPI SINGLE DATA RATE TIMING DIAGRAM IN SYNCHRONOUS MODE



6.2 ULPI Register Access

The following section details the steps required to access registers through the ULPI interface. At any time **DIR** is low the Link may access the ULPI registers set using the Transmit Command byte. The ULPI registers retain their contents when the PHY is in Low Power Mode, Full Speed/Low Speed Serial Mode, or CarKit Mode.

6.2.1 TRANSMIT COMMAND BYTE (TX CMD)

A command from the Link begins a ULPI transfer from the Link to the USB3370. Before reading a ULPI register, the Link must wait until **DIR** is low, and then send a Transmit Command Byte (TX CMD) byte. The TX CMD byte informs the USB3370 of the type of data being sent. The TX CMD is followed by a data transfer to or from the USB3370. Table 6-2 gives the TX command byte (TX CMD) encoding for the USB3370. The upper two bits of the TX CMD instruct the PHY as to what type of packet the Link is transmitting.

TABLE 6-2: ULPI TX CMD BYTE ENCODING

| Command Name | CMD Bits[7:6] | CMD Bits[5:0] | Command Description |
|----------------|---------------|---------------|--|
| Idle | 00b | 000000b | ULPI Idle |
| Transmit | 01b | 000000b | USB Transmit Packet with No Packet Identifier (NOPID) |
| | | 00XXXXb | USB Transmit Packet Identifier (PID) where DATA[3:0] is equal to the 4-bit PID. $P_3P_2P_1P_0$ where P_3 is the MSB. |
| Register Write | 10b | XXXXXXb | Immediate Register Write Command where: DATA[5:0] = 6-bit register address |
| | | 101111b | Extended Register Write Command where the 8-bit register address is available on the next cycle. |

USB3370

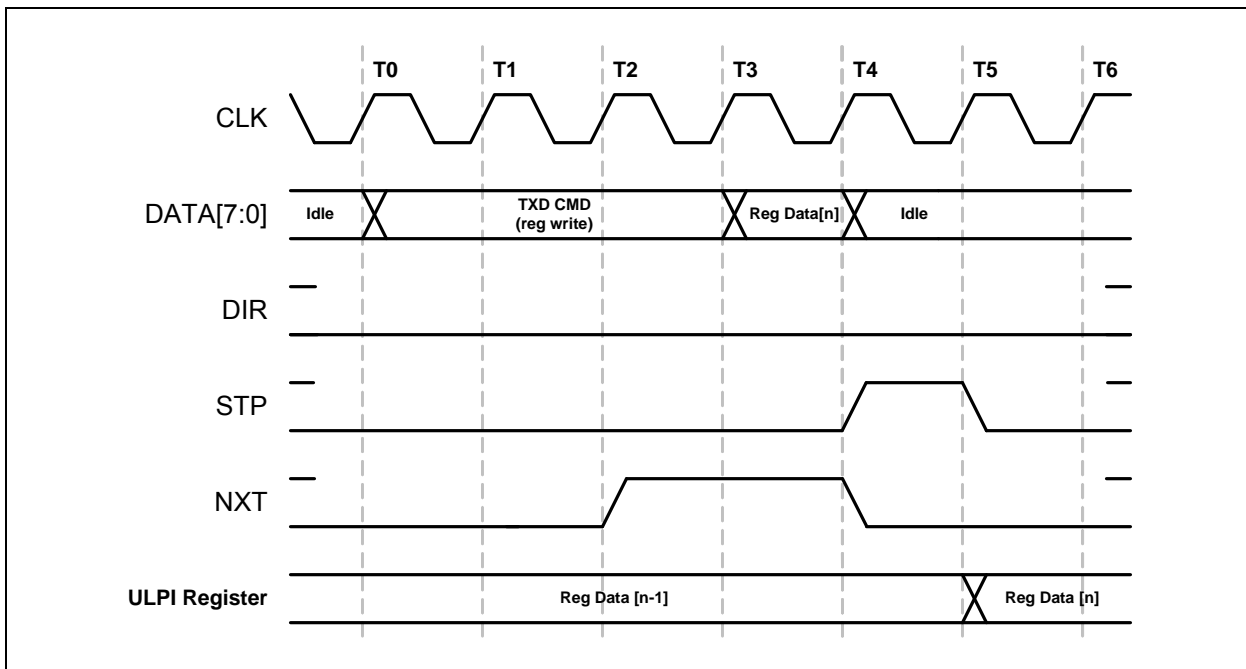
TABLE 6-2: ULPI TX CMD BYTE ENCODING (CONTINUED)

| Command Name | CMD Bits[7:6] | CMD Bits[5:0] | Command Description |
|---------------|---------------|---------------|---|
| Register Read | 11b | XXXXXXb | Immediate Register Read Command where: DATA[5:0] = 6-bit register address |
| | | 101111b | Extended Register Read Command where the 8-bit register address is available on the next cycle. |

6.2.2 ULPI REGISTER WRITE

A ULPI register write operation is given in [Figure 6-3](#). The TX command with a register write **DATA[7:6] = 10b** is driven by the Link at T0. The register address is encoded into **DATA[5:0]** of the TX CMD byte.

FIGURE 6-3: ULPI REGISTER WRITE IN SYNCHRONOUS MODE

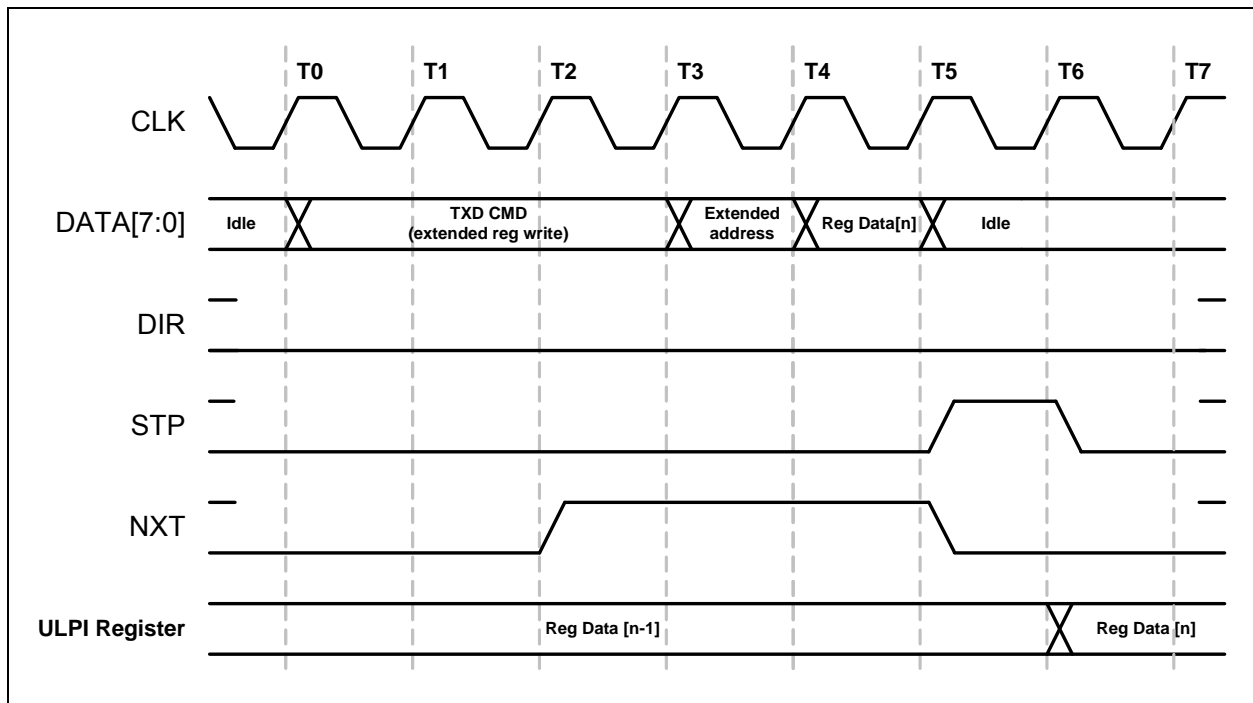


To write a register, the Link will wait until **DIR** is low, and at T0, drive the TX CMD on the data bus. At T2 the PHY will drive **NXT** high. On the next rising clock edge, T3, the Link will write the register data. At T4, the PHY will accept the register data and drive **NXT** low. The Link will drive an Idle on the bus and drive **STP** high to signal the end of the data packet. Finally, at T5, the PHY will latch the data into the register and the Link will pull **STP** low.

NXT is used to throttle when the Link drives the register data on the bus. **DIR** is low throughout this transaction since the PHY is receiving data from the Link. **STP** is used to end the transaction and data is registered after the de-assertion of **STP**. After the write operation completes, the Link must drive a ULPI Idle (00h) on the data bus. If the databus is not driven to idle the USB3370 may decode the non-zero bus value as an RX Command.

A ULPI extended register write operation is shown in [Figure 6-4](#). To write an extended register, the Link will wait until **DIR** is low, and at T0, drive the TX CMD on the data bus. At T2 the PHY will drive **NXT** high. On the next clock T3 the Link will drive the extended address. On the next rising clock edge, T4, the Link will write the register data. At T5, the PHY will accept the register data and drive **NXT** low. The Link will drive an Idle on the bus and drive **STP** high to signal the end of the data packet. At T5, the PHY will latch the data into the register. Finally, at T6, the Link will drive **STP** low.

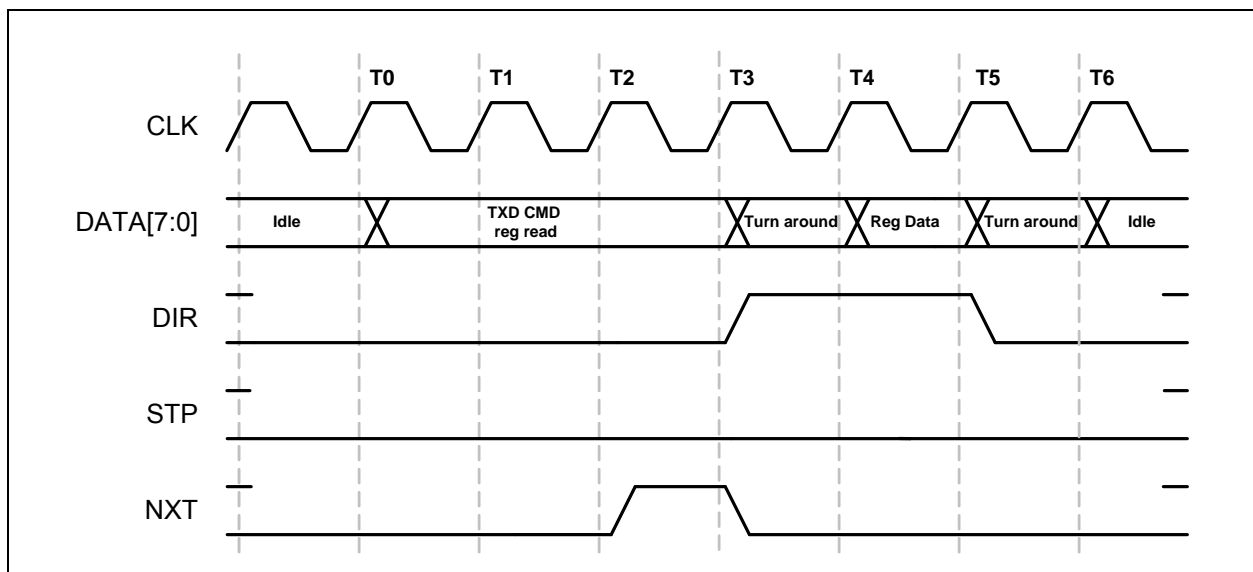
FIGURE 6-4: ULPI EXTENDED REGISTER WRITE IN SYNCHRONOUS MODE



6.2.3 ULPI REGISTER READ

A ULPI register read operation is given in [Figure 6-5](#). The Link drives a TX CMD byte with **DATA[7:6] = 11h** for a register read. **DATA[5:0]** of the ULPI TX command byte contain the register address.

FIGURE 6-5: ULPI REGISTER READ IN SYNCHRONOUS MODE



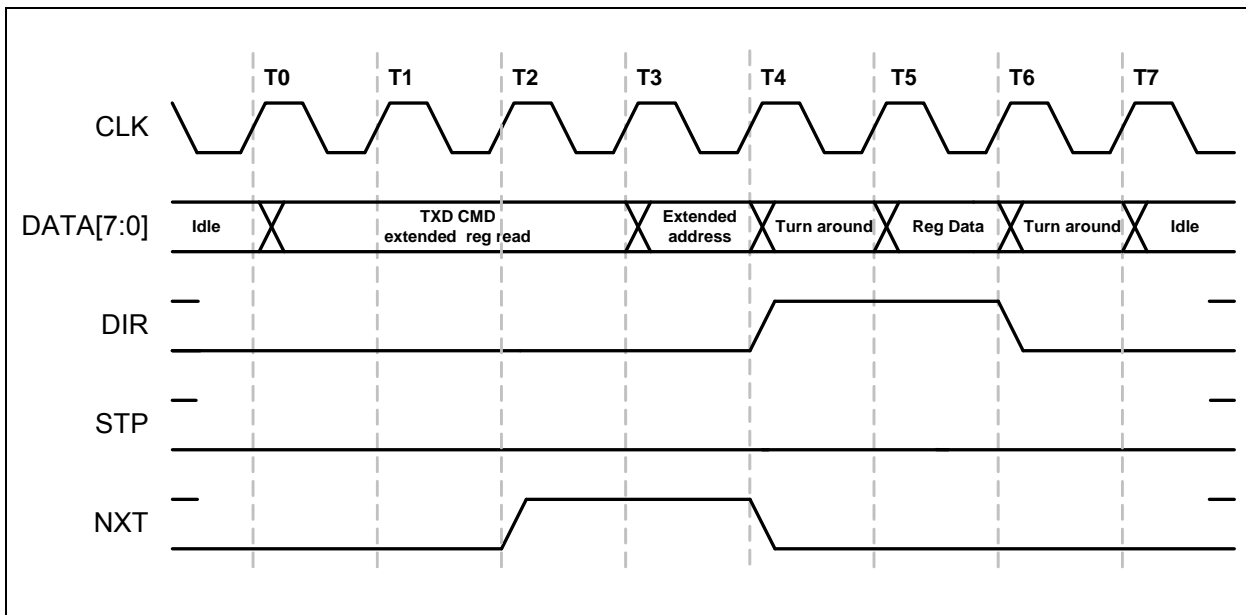
At T0, the Link will place the TX CMD on the data bus. At T2, the PHY will bring **NXT** high, signaling the Link it is ready to accept the data transfer. At T3, the PHY reads the TX CMD, determines it is a register read, and asserts **DIR** to gain control of the bus. The PHY will also de-assert **NXT**. At T4, the bus ownership has transferred back to the PHY and the

USB3370

PHY drives the requested register onto the data bus. At T5, the Link will read the data bus and the PHY will drop **DIR** low returning control of the bus back to the Link. After the turn around cycle, the Link must drive a ULPI Idle command at T6.

A ULPI extended register read operation is shown in [Figure 6-6](#). To read an extended register, the Link writes the TX CMD with the address set to 2Fh. At T2, the PHY will assert **NXT**, signaling the Link it is ready to accept the extended address. At T3, the Link places the extended register address on the bus. At T4, the PHY reads the extended address, and asserts **DIR** to gain control of the bus. The PHY will also de-assert **NXT**. At T5, the bus ownership has transferred back to the PHY and the PHY drives the requested register onto the data bus. At T6, the Link will read the data bus and the PHY will de-assert **DIR** returning control of the bus back to the Link. After the turn around cycle, the Link must drive a ULPI Idle command at T6.

FIGURE 6-6: ULPI EXTENDED REGISTER READ IN SYNCHRONOUS MODE



6.3 USB3370 Receiver

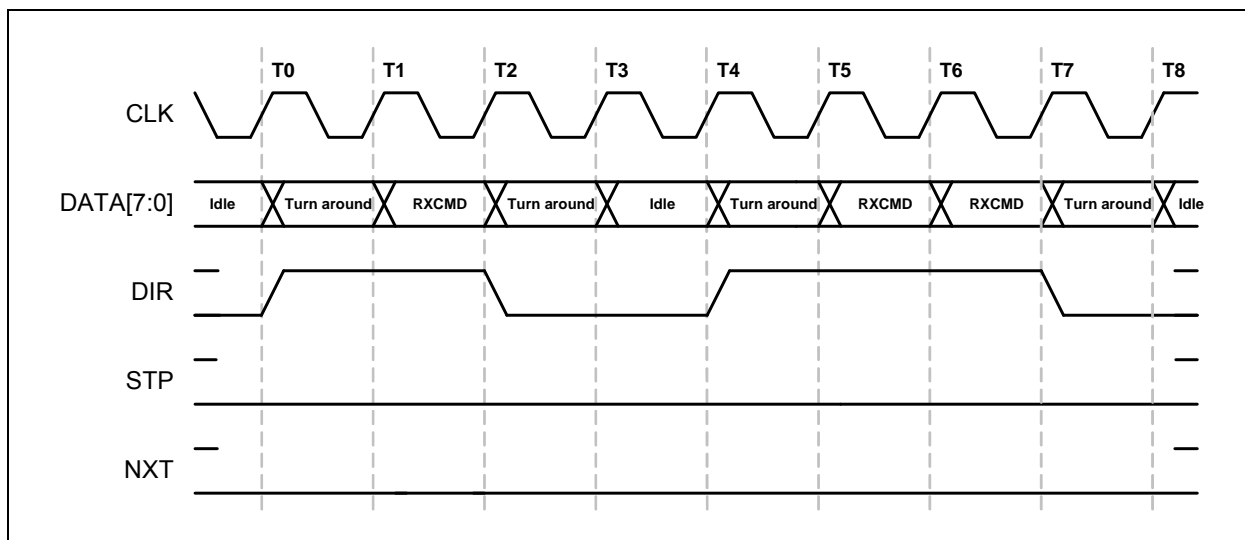
The following section describes how the USB3370 uses the ULPI interface to receive USB signaling and transfer status information to the Link. This information is communicated to the Link using RX Commands to relay bus status and received USB packets.

6.3.1 ULPI RECEIVE COMMAND (RX CMD)

The ULPI Link needs information which was provided by the following pins in a UTMI implementation: `linestate[1:0]`, `rxactive`, `rxvalid`, `rxerror`, and `VbusValid`. When implementing the OTG functions, the **VBUS** and **ID** pin states must also be transferred to the Link. ULPI defines a Receive Command Byte (RXCMD) that contains this information.

An RXCMD can be sent any time the bus is idle. The RXCMD is initiated when the USB3370 asserts **DIR** to take control of the bus. The timing of RXCMD is shown in the figure below. The USB3370 can send single or back to back RXCMD's as required. The Encoding of the RXCMD byte is given in the [Table 6-3](#).

FIGURE 6-7: ULPI RXCMD TIMING



Transfer of the RXCMD byte occurs in Synchronous Mode when the PHY has control of the bus. The ULPI Protocol Block shown in [Figure 6-1](#) determines when to send an RXCMD. A RXCMD will occur:

- When a linestate change occurs.
- When VBUS or ID comparators change state.
- During a USB receive when **NXT** is low.
- After the USB3370 deasserts **DIR** and **STP** is low during start-up
- After the USB3370 exits Low Power Mode, Serial Modes, or CarKit Mode after detecting that the Link has deasserted **STP**, and **DIR** is low.

When a USB Receive is occurring, RXCMD's are sent whenever **NXT** = 0 and **DIR** = 1. During a USB Transmit, the RXCMD's are returned to the Link after **STP** is asserted.

If an RXCMD event occurs during a Hi-Speed USB transmit, the RXCMD is blocked until **STP** de-asserts at the end of the transmit. The RXCMD contains the status that is current at the time the RXCMD is sent.

TABLE 6-3: ULPI RX CMD ENCODING

| Data [7:0] | Name | Description and Value | | | | |
|------------|--------------------|---|--|----------------|-----------------------|----------------------------|
| [1:0] | Linestate | UTMI Linestate Signals. See Section 6.3.1.1 | | | | |
| [3:2] | Encoded VBUS State | ENCODED VBUS VOLTAGE STATES | | | | |
| | | VALUE | VBUS VOLTAGE | SESEND | SESSVLD | VBUSVLD₂ |
| | | 00 | $V_{VBUS} < V_{SESS_END}$ | 1 | 0 | 0 |
| | | 01 | $V_{SESS_END} < V_{VBUS} < V_{SESS_VLD}$ | 0 | 0 | 0 |
| | | 10 | $V_{SESS_VLD} < V_{VBUS} < V_{VBUS_VLD}$ | X | 1 | 0 |
| | | 11 | $V_{VBUS_VLD} < V_{VBUS}$ | X | X | 1 |
| [5:4] | Rx Event Encoding | ENCODED UTMI EVENT SIGNALS | | | | |
| | | VALUE | RXACTIVE | RXERROR | HOSTDISCONNECT | |
| | | 00 | 0 | 0 | 0 | |
| | | 01 | 1 | 0 | 0 | |
| | | 11 | 1 | 1 | 0 | |
| | | 10 | X | X | 1 | |

USB3370

TABLE 6-3: ULPI RX CMD ENCODING (CONTINUED)

| Data [7:0] | Name | Description and Value |
|------------|-----------------|---|
| [6] | State of ID pin | Set to the logic state of the ID pin. A logic low indicates an A device. A logic high indicates a B device. |
| [7] | alt_int | Asserted when a non-USB interrupt occurs. This bit is set when an unmasked event occurs on any bit in the Carkit Interrupt Latch register. The Link must read the Carkit Interrupt Latch register to determine the source of the interrupt. Section 6.8 describes how an interrupt can be generated when the <i>RidConversionDone</i> bit is set. |

Note 1: An 'X' is a do not care and can be either a logic 0 or 1.

2: The value of VbusValid is defined in [Table 5-4](#).

6.3.1.1 Definition of Linestate

The Linestate information is used to relay information back to the Link on the current status of the USB data lines, **DP** and **DM**. The definition of Linestate changes as the USB3370 transitions between LS/FS mode, HS mode, and HS Chirp.

6.3.1.1.1 LS/FS Linestate Definitions

In LS and FS operating modes the Linestate is defined by the outputs of the LS/FS Single Ended Receivers (SE RX). The logic thresholds for single ended receivers, V_{ILSE} and V_{IHSE} are shown in [Table 4-5](#).

TABLE 6-4: USB LINESTATE DECODING IN FS AND LS MODE

| Linestate[1:0] | | DP SE RX | DM SE RX | State |
|----------------|-------------|----------|----------|-----------|
| 00 | SE0 | 0 | 0 | USB Reset |
| 01 | J (FS idle) | 1 | 0 | J State |
| 10 | K (LS Idle) | 0 | 1 | K State |
| 11 | SE1 | 1 | 1 | SE1 |

Low Speed uses the same Linestate decoding threshold as Full Speed. Low Speed re-defines the Idle state as an inversion of the Full Speed idle to account for the inversion which occurs in the hub repeater path. Linestates are decoded exactly as in [Table 6-4](#) with the idle as a K state.

6.3.1.1.2 HS Linestate Definition

In HS mode the data transmission is too fast for Linestate to be transmitted with each transition in the data packet. In HS operation the Linestate is redefined to indicate activity on the USB interface. The Linestate will signal the assertion and de-assertion of squelch in HS mode.

TABLE 6-5: USB LINESTATE DECODING IN HS MODE

| Linestate[1:0] | | DP SE RX | DM SE RX | State |
|----------------|-----|----------|----------|------------------------|
| 00 | SE0 | 0 | 0 | HS Squelch asserted |
| 01 | J | 1 | 0 | HS Squelch de-asserted |
| 10 | K | 0 | 1 | Invalid State |
| 11 | SE1 | 1 | 1 | Invalid State |

6.3.1.1.3 HS CHIRP Linestate Definition

There is also a third use of Linestate in HS Chirp where when the Host and Peripheral negotiate the from FS mode to HS mode. While the transitions from K to J or SE0 are communicated to the Link through the Linestate information.

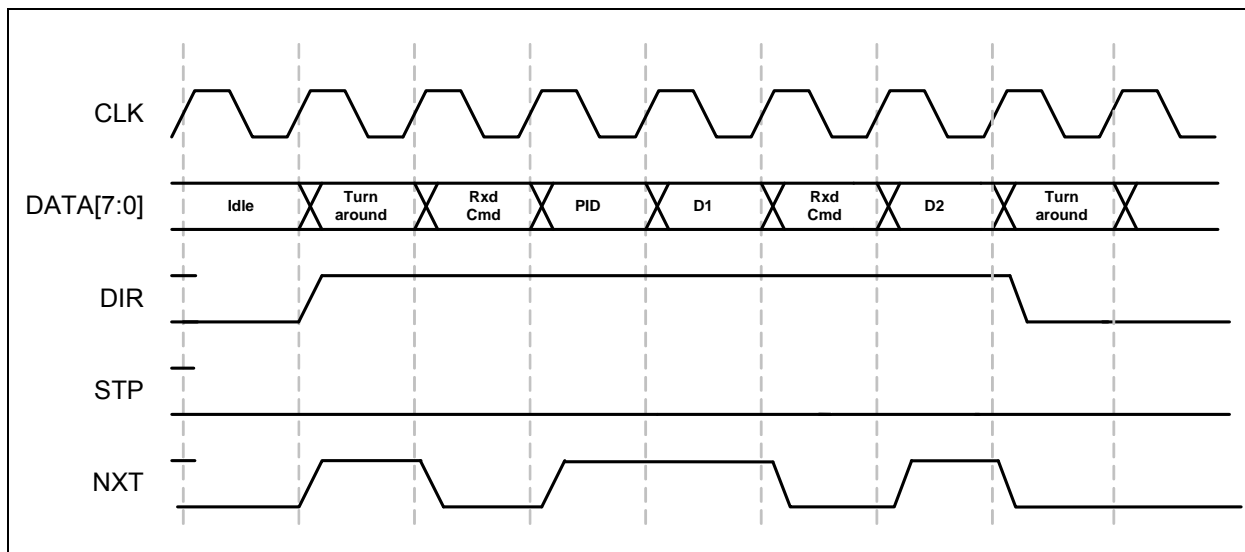
TABLE 6-6: USB LINSTATE DECODING IN HS CHIRP MODE

| Linestate[1:0] | | DP SE RX | DM SE RX | State |
|----------------|-----|----------|----------|---|
| 00 | SE0 | 0 | 0 | HS Squelch asserted |
| 01 | J | 1 | 0 | HS Squelch de-asserted & HS differential Receiver = 1 |
| 10 | K | 0 | 1 | HS Squelch de-asserted & HS differential Receiver = 0 |
| 11 | SE1 | 1 | 1 | Invalid State |

6.3.2 USB RECEIVER

The USB3370 ULPI receiver fully supports HS, FS, and LS transmit operations. In all three modes the receiver detects the start of packet and synchronizes to the incoming data packet. In the ULPI protocol, a received packet has the priority and will immediately follow register reads and RXCMD transfers. [Figure 6-8](#) shows a basic USB packet received by the USB3370 over the ULPI interface.

FIGURE 6-8: ULPI RECEIVE IN SYNCHRONOUS MODE



In [Figure 6-8](#) the PHY asserts **DIR** to take control of the data bus from the Link. The assertion of **DIR** and **NXT** in the same cycle contains additional information that Ractive has been asserted. When **NXT** is de-asserted and **DIR** is asserted, the RXCMD data is transferred to the Link. After the last byte of the USB receive packet is transferred to the PHY, the linestate will return to idle.

The ULPI Full Speed receiver operates according to the UTMI / ULPI specification. In the Full Speed case, the **NXT** signal will assert only when the Data bus has a valid received data byte. When **NXT** is low with **DIR** high, the RXCMD is driven on the data bus.

In Full Speed, the USB3370 will not issue a Ractive de-assertion in the RXCMD until the DP/DM linestate transitions to idle. This prevents the Link from violating the two Full Speed bit times minimum turn around time.

USB3370

6.3.2.1 Disconnect Detection

A Hi-Speed host must detect a disconnect by sampling the transmitter outputs during the long EOP transmitted during a SOF packet. The USB3370 only looks for a Hi-Speed disconnect during the long EOP where the period is long enough for the disconnect reflection to return to the host PHY. When a Hi-Speed disconnect occurs, the USB3370 will return a RXCMD and set the host disconnect bit in the [USB Interrupt Status](#) register.

When in FS or LS modes, the Link is expected to handle all disconnect detection.

6.3.2.2 Link Power Management (LPM) Token Receive

The USB3370 is fully capable of receiving the Extended PID in the LPM token. When the LPM 0000b PID is received, this information is passed to the Link as a normal receive packet. If the Link chooses to enter LPM suspend, the procedure detailed in [Section 6.5.3](#) can be followed.

6.4 USB3370 Transmitter

The USB3370 ULPI transmitter fully supports HS, FS, and LS transmit operations. [Figure 6-1](#) shows the Hi-Speed, Full Speed, and Low Speed transmitter block controlled by ULPI Protocol Block. Encoding of the USB packet follows the bit-stuffing and NRZI outlined in the USB 2.0 specification. Many of these functions are reused between the HS and FS/LS transmitters. When using the USB3370, [Table 5-1](#) should always be used as a guideline on how to configure for various modes of operation. The transmitter decodes the inputs of *XcvrSelect[1:0]*, *TermSelect*, *OpMode[1:0]*, *DpPulldown*, and *DmPulldown* to determine what operation is expected. Users must strictly adhere to the modes of operation given in [Table 5-1](#).

Several important functions for a device and host are designed into the transmitter blocks.

The USB3370 transmitter will transmit a 32-bit long Hi-Speed sync before every Hi-Speed packet. In Full and Low Speed modes a 8-bit sync is transmitted.

When the device or host needs to chirp for Hi-Speed port negotiation, the *OpMode* = 10 setting will turn off the bit-stuffing and NRZI encoding in the transmitter. At the end of a chirp, the USB3370 *OpMode* register bits should be changed only after the RXCMD linestate encoding indicates that the transmitter has completed transmitting. Should the *opmode* be switched to normal bit-stuffing and NRZI encoding before the transmit pipeline is empty, the remaining data in the pipeline may be transmitted in an bit-stuff encoding format.

Please refer to the ULPI specification for a detailed discussion of USB reset and HS chirp.

6.4.1 USB3370 HOST FEATURES

The USB3370 can also support USB Host operation and includes the following features that are required for Host operation.

6.4.1.1 Hi-Speed Long EOP

When operating as a Hi-Speed host, the USB3370 will automatically generate a 40 bit long End of Packet (EOP) after a SOF PID (A5h). The USB3370 determines when to send the 40-bit long EOP by decoding the ULPI TX CMD bits [3:0] for the SOF. The 40-bit long EOP is only transmitted when the *DpPulldown* and *DmPulldown* bits in the [OTG Control](#) register are asserted. The Hi-Speed 40-bit long EOP is used to detect a disconnect in mode.

In device mode, the USB3370 will not send a long EOP after a SOF PID.

6.4.1.2 Low Speed Keep-Alive

Low Speed keep alive is supported by the USB3370. When in Low Speed mode, the USB3370 will send out two Low Speed bit times of SE0 when a SOF PID is received.

6.4.1.3 UTMI+ Level 3

Pre-amble is supported for UTMI+ Level 3 compatibility. When *XcvrSelect* is set to (11b) in host mode, (*DpPulldown* and *DmPulldown* both asserted) the USB3370 will pre-pend a Full Speed pre-amble before the Low Speed packet. Full Speed rise and fall times are used in this mode. The pre-amble consists of the following: Full Speed sync, the encoded pre-PID (C3h) and then Full Speed idle (DP=1 and DM = 0). A Low Speed packet follows with a sync, data and a LS EOP.

The USB3370 will only support UTMI+ Level 3 as a host. The USB3370 does not support UTMI+ Level 3 as a peripheral. A UTMI+ Level 3 peripheral is an upstream hub port. The USB3370 will not decode a pre-amble packet intended for a LS device when the USB3370 is configured as the upstream port of a FS hub, *XcvrSelect* = 11b, *DpPulldown* = 0b, *DmPulldown* = 0b.

6.4.1.4 Host Resume K

Resume K generation is supported by the USB3370. At the end of a USB Suspend the PHY will drive a K back to the downstream device. When the USB3370 exits from Low Power Mode, when operating as a host, it will automatically transmit a Resume K on DP/DM. The transmitters will end the K with SE0 for two Low Speed bit times. If the USB3370 was operating in Hi-Speed mode before the suspend, the host must change to Hi-Speed mode before the SE0 ends. SE0 is two Low Speed bit times which is about 1.2 us. For more details please see sections 7.1.77 and 7.9 of the USB Specification.

In device mode, the resume K will not append an SE0, but release the bus to the correct idle state, depending upon the operational mode as shown in [Table 5-1](#).

The ULPI specification includes a detailed discussion of the resume sequence and the order of operations required. To support Host start-up of less than 1mS the USB3370 implements the ULPI *AutoResume* bit in the Interface Control register. The default *AutoResume* state is 0 and this bit should be enabled for Host applications.

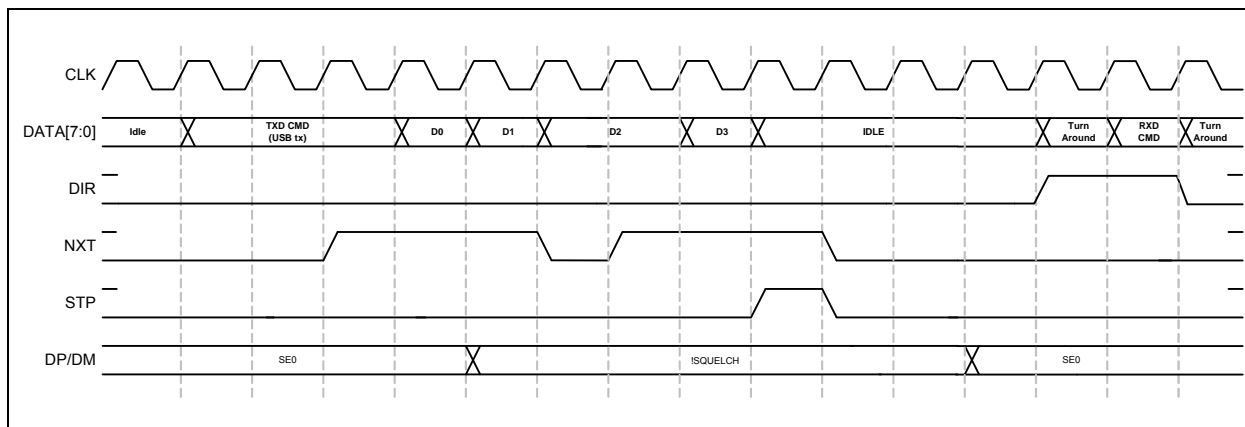
6.4.1.5 No SYNC and EOP Generation (*OpMode* = 11)

UTMI+ defines *OpMode* = 11 where no sync and EOP generation occurs in Hi-Speed operation. This is an option to the ULPI specification and not implemented in the USB3370.

6.4.2 TYPICAL USB TRANSMIT WITH ULPI

[Figure 6-9](#) shows a typical USB transmit sequence. A transmit sequence starts by the Link sending a TX CMD where **DATA[7:6] = 01b**, **DATA[5:4] = 00b**, and **Data[3:0] = PID**. The TX CMD with the PID is followed by transmit data.

FIGURE 6-9: ULPI TRANSMIT IN SYNCHRONOUS MODE



During transmit the PHY will use **NXT** to control the rate of data flow into the PHY. If the USB3370 pipeline is full or bit-stuffing causes the data pipeline to overflow **NXT** is de-asserted and the Link will hold the value on Data until **NXT** is asserted. The USB Transmit ends when the Link asserts **STP** while **NXT** is asserted.

Note: The Link cannot assert **STP** with **NXT** de-asserted since the USB3370 is expecting to fetch another byte from the Link.

After the USB3370 completes transmitting, the **DP** and **DM** lines return to idle and a RXCMD is returned to the Link so the inter-packet timers may be updated by linestate.

While operating in Full Speed or Low Speed, an End-of-Packet (EOP) is defined as SE0 for approximately two bit times, followed by J for one bit time. The transceiver drives a J state for one bit time following the SE0 to complete the EOP. The Link must wait for one bit time following line state indication of the SE0 to J transition to allow the transceiver to complete the one bit time J state. All bit times are relative to the speed of transmission.

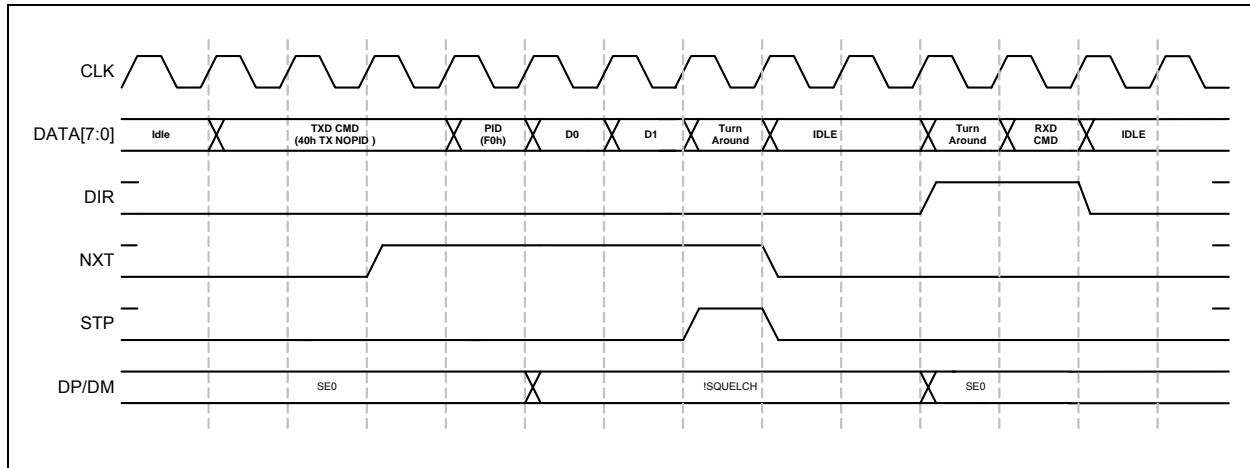
In the case of Full Speed or Low Speed, after **STP** is asserted each FS/LS bit transition will generate a RXCMD since the bit times are relatively slow.

USB3370

6.4.2.1 Link Power Management Token Transmit

A Host Link can send a LPM command using the USB3370. When sending the LPM token the normal transmit method is not used. Sending a LPM token requires the USB3370 to send a 0000b or 'F0' PID. When the ULPI specification was defined the 'F0' PID was not defined. The ULPI specification used the "Reserved" 'F0' PID to signal chirp and resume signaling while using *OpMode* 10b. While in *OpMode* 00b the USB3370 is able to generate the 'F0' PID as shown below.

FIGURE 6-10: LPM TOKEN TRANSMIT



To send the 'F0' PID, the link will be required to use the TX CMD with NOPID to initiate the transmit and then follow up the TX CMD with the 'F0' PID. The data bytes follow as in a normal transmit, in *OpMode* 00b. The key difference is in that the link will have to send the PID the same as it would send a data packet. The USB3370 is able to recognize the LPM transmit and correctly send the PID information.

6.5 Low Power Mode

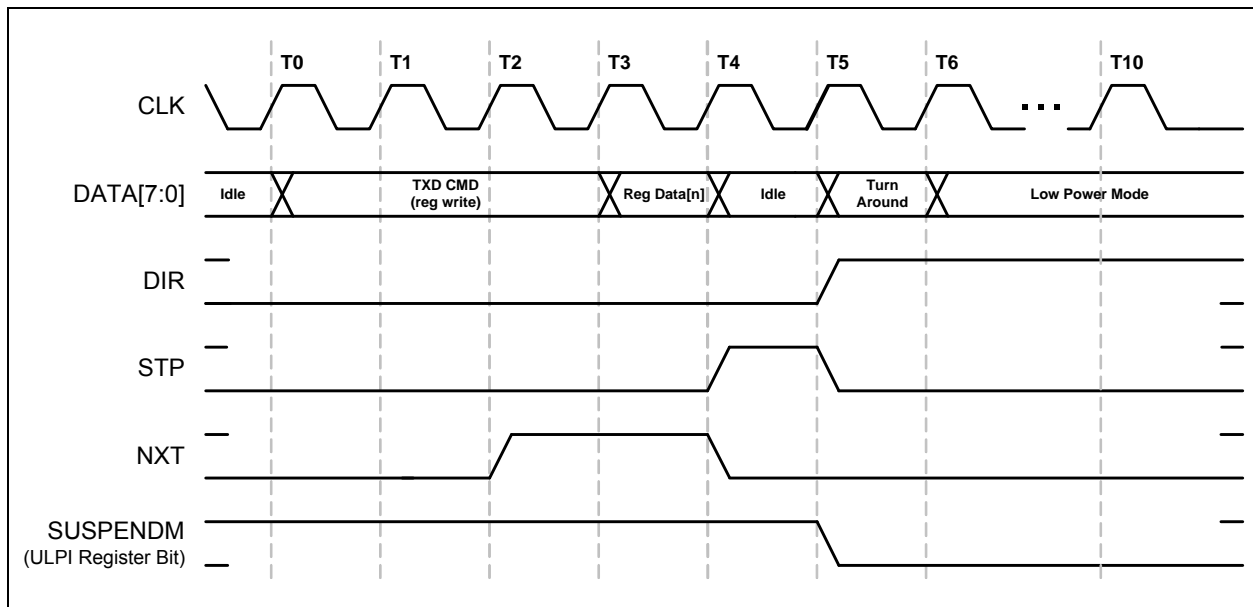
Low Power Mode is a power down state to save current when the USB session is suspended. The Link controls when the PHY is placed into or out of Low Power Mode. In Low Power Mode all of the circuits are powered down except the interface pins, Full Speed receiver, VBUS comparators, and IdGnd comparator. The VBUS and ID comparators can optionally be powered down to save current as shown in [Section 6.5.5](#).

Before entering Low Power Mode, the USB3370 must be configured to set the desired state of the USB transceiver. The *XcvrSelect[1:0]*, *TermSelect* and *OpMode[1:0]* bits in the [Function Control](#) register, and the *DpPulldown* and *DmPull-down* bits in the [OTG Control](#) register control the configuration as shown in [Table 5-1](#). The **DP** and **DM** pins are configured to a high impedance state by configuring *OpMode[1:0]* = 01 as shown in the programming example in [Table 6-8](#). Pull-down resistors with a value of approximately 2MΩ are present on the **DP** and **DM** pins to avoid false linestate indications that could result if the pins were allowed to float.

6.5.1 ENTERING LOW POWER/SUSPEND MODE

To enter Low Power Mode, the Link will write a 0 or clear the *SuspendM* bit in the [Function Control](#) register. After this write is complete, the PHY will assert **DIR** high and after a minimum of five rising edges of **CLKOUT**, drive the clock low. After the clock is stopped, the PHY will enter a low power state to conserve current. Placing the PHY in Suspend Mode is not related to USB Suspend. To clarify this point, USB Suspend is initiated when a USB host stops data transmissions and enters Full-Speed mode with 15KΩ pull-down resistors on **DP** and **DM**. The suspended device goes to Full-Speed mode with a pull-up on **DP**. Both the host and device remain in this state until one of them drives **DM** high (this is called a resume).

FIGURE 6-11: ENTERING LOW POWER MODE FROM SYNCHRONOUS MODE



While in Low Power Mode, the Data interface is redefined so that the Link can monitor Linestate and the VBUS voltage. In Low Power Mode **DATA[3:0]** are redefined as shown in [Table 6-7](#). Linestate[1:0] is the combinational output of the Single-Ended Receivers. The “int” or interrupt signal indicates an unmasked interrupt has occurred. When an unmasked interrupt or linestate change has occurred, the Link is notified and can determine if it should wake-up the PHY.

TABLE 6-7: INTERFACE SIGNAL MAPPING DURING LOW POWER MODE

| Signal | Maps To | Direction | Description |
|--------------|------------------|-----------|--|
| linestate[0] | DATA[0] | OUT | Combinatorial LineState[0] driven directly by the Full-Speed single ended receiver. Note 6-1 |
| linestate[1] | DATA[1] | OUT | Combinatorial LineState[1] driven directly by the Full-Speed single ended receiver. Note 6-1 |
| reserved | DATA[2] | OUT | Driven Low |
| int | DATA[3] | OUT | Active high interrupt indication. Must be asserted whenever any unmasked interrupt occurs. |
| reserved | DATA[7:4] | OUT | Driven Low |

Note 6-1 LineState: These signals reflect the current state of the Full-Speed single ended receivers. LineState[0] directly reflects the current state of **DP**. LineState[1] directly reflects the current state of **DM**. When **DP=DM=0** this is called "Single Ended Zero" (SE0). When **DP=DM=1**, this is called "Single Ended One" (SE1).

An unmasked interrupt can be caused by the following comparators changing state: VbusVld, SessVld, SessEnd, and IdGnd. If any of these signals change state during Low Power Mode and the bits are enabled in either the [USB Interrupt Enable Rising](#) or [USB Interrupt Enable Falling](#) registers, **DATA[3]** will assert. During Low Power Mode, the VbusVld and SessEnd comparators can have their interrupts masked to lower the suspend current as described in [Section 6.5.5](#).

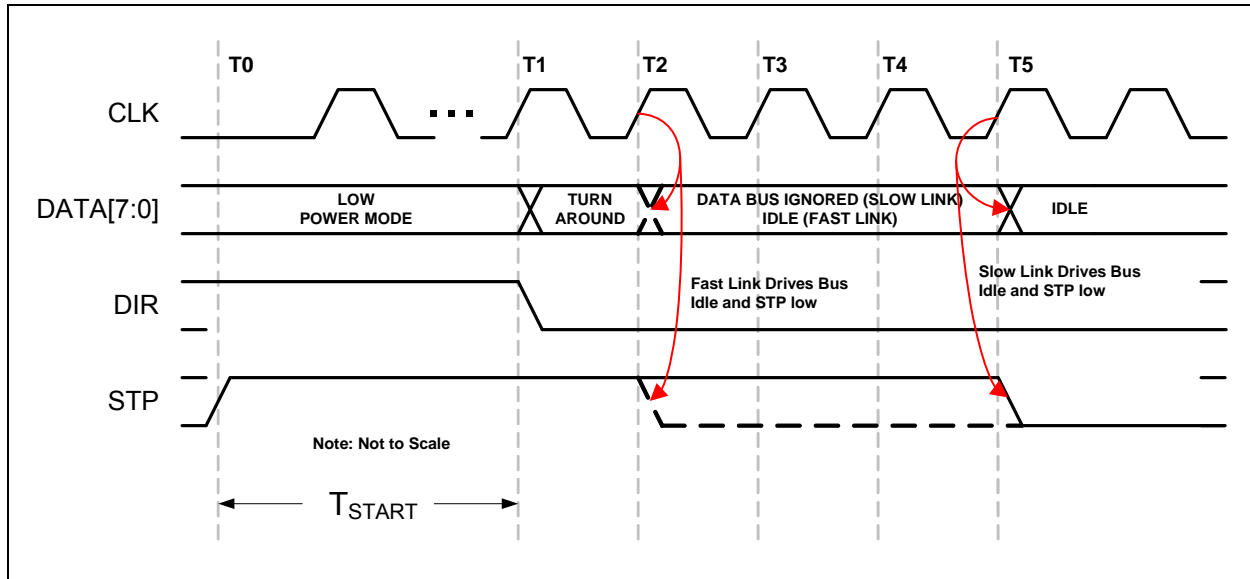
While in Low Power Mode, the Data bus is driven asynchronously because all of the PHY clocks are stopped during Low Power Mode.

USB3370

6.5.2 EXITING LOW POWER MODE

To exit Low Power Mode, the Link will assert **STP**. Upon the assertion of **STP**, the USB3370 will begin its start-up procedure. After the PHY start-up is complete, the PHY will start the clock on **CLKOUT** and de-assert **DIR**. After **DIR** has been de-asserted, the Link can de-assert **STP** when ready and start operating in Synchronous Mode. The PHY will automatically set the *SuspendM* bit to a 1 in the [Function Control](#) register.

FIGURE 6-12: EXITING LOW POWER MODE



The value for T_{START} is given in [Table 4-2](#).

Should the Link de-assert **STP** before **DIR** is de-asserted, the USB3370 will detect this as a false resume request and return to Low Power Mode. This is detailed in Section 3.9.4 of the UTMI+ Low Pin Interface (ULPI) Specification Rev. 1.1.

6.5.3 LINK POWER MANAGEMENT (LPM)

When the USB3370 is operating with a Link capable of Link Power Management, the Link will place the USB3370 in and out of suspend rapidly to conserve power. The USB3370 provides a fast suspend recovery that allows the USB3370 to meet the suspend recovery time detailed in the Link Power Management ECN to the USB 2.0 specification.

When the Link places the USB3370 into suspend during Link Power Management, the *LPM Enable* bit of the [HS Compensation Register](#) must be set to 1. This allows the USB3370 to start-up in the time specified in [Table 4-2](#).

6.5.4 INTERFACE PROTECTION

ULPI protocol assumes that both the Link and PHY will keep the ULPI data bus driven by either the Link when **DIR** is low or the PHY when **DIR** is high. The only exception is when **DIR** has changed state and a turn around cycle occurs for 1 clock period.

In the design of a USB system, there can be cases where the Link may not be driving the ULPI bus to a known state while **DIR** is low. Two examples where this can happen is because of a slow Link start-up or a hardware reset.

6.5.4.1 Start up Protection

Upon start-up, when the PHY de-asserts **DIR**, the Link must be ready to receive commands and drive Idle on the data bus. If the Link is not ready to receive commands or drive Idle, it must assert **STP** before **DIR** is de-asserted. The Link can then de-assert **STP** when it has completed its start-up. If the Link doesn't assert **STP** before it can receive commands, the **PHY** may interpret the data bus state as a TX CMD and transmit invalid data onto the **USB** bus, or make invalid register writes.

When the USB3370 sends a RXCMD the Link is required to drive the data bus back to idle at the end of the turn around cycle. If the Link does not drive the databus to idle the USB3370 may take the information on the data bus as a TXCMD and transmit data on **DP** and **DM** until the Link asserts stop. If the **ID** pin is floated the last RXCMD from the USB3370 will remain on the bus after **DIR** is de-asserted and the USB3370 will take this in as a TXCMD.

A Link should be designed to have the default POR state of the **STP** output high and the data bus tri-stated. The USB3370 has weak pull-downs on the data bus to prevent these inputs from floating when not driven. These resistors are only used to prevent the ULPI interface from floating during events when the link ULPI pins may be tri-stated. The strength of the pull down resistors can be found in [Table 4-4](#). The pull downs are not strong enough to pull the data bus low after a ULPI RXCMD, the Link must drive the data bus to idle after **DIR** is de-asserted.

In some cases, a Link may be software configured and not have control of its **STP** pin until after the PHY has started. In this case, the USB3370 has an internal pull-up on the **STP** input pad which will pull **STP** high while the Link's **STP** output is tri-stated. The **STP** pull-up resistor is enabled on POR and can be disabled by setting the *InterfaceProtectDisable* bit 7 of the Interface Control register.

The **STP** pull-up resistor will pull-up the Link's **STP** input high until the Link configures and drives **STP** high. After the Link completes its start-up, **STP** can be synchronously driven low.

A Link design which drives **STP** high during POR can disable the pull-up resistor on **STP** by setting *InterfaceProtectDisable* bit to 1. A motivation for this is to reduce the suspend current. In Low Power Mode, **STP** is held low, which would draw current through the pull-up resistor on **STP**.

6.5.4.2 Warm Reset

Designers should also consider the case of a warm restart of a Link with a PHY in Low Power Mode. After the PHY enters Low Power Mode, **DIR** is asserted and the clock is stopped. The USB3370 looks for **STP** to be asserted to restart the clock and then resume normal synchronous operation.

Should the USB3370 be suspended in Low Power Mode, and the Link receives a hardware reset, the PHY must be able to recover from Low Power Mode and start its clock. If the Link asserts **STP** on reset, the PHY will exit Low Power Mode and start its clock.

If the Link does not assert **STP** on reset, the interface protection pull-up can be used. When the Link is reset, its **STP** output will tri-state and the pull-up resistor will pull **STP** high, signaling the PHY to restart its clock.

6.5.5 MINIMIZING CURRENT IN LOW POWER MODE

In order to minimize the suspend current in Low Power Mode, the VBUS and ID comparators can be disabled to reduce suspend current. In Low Power Mode, the VbusVId and SessEnd comparators are not needed and can be disabled by clearing the associated bits in both the [USB Interrupt Enable Rising](#) and [USB Interrupt Enable Falling](#) registers. By disabling the interrupt in BOTH the rise and fall registers, the SessEnd and VbusVId comparators are turned off. The *IdFloatRise* and *IdFloatFall* bits in [Carkit Interrupt Enable](#) register should also be disabled if they were set. When exiting Low Power Mode, the Link should immediately re-enable the VbusVId and SessEnd comparators if host or OTG functionality is required.

In addition to disabling the OTG comparators in Low Power Mode, the Link may choose to disable the Interface Protect Circuit. By setting the *InterfaceProtectDisable* bit high in the [Interface Control](#) register, the Link can disable the pull-up resistor on **STP**. When **RESETB** is low the Interface Protect Circuit will be disabled.

6.6 Full Speed/Low Speed Serial Modes

The USB3370 includes two serial modes to support legacy Links which use either the 3pin or 6pin serial format. To enter either serial mode, the Link will need to write a 1 to the *6-pin FsLsSerialMode* or the *3-pin FsLsSerialMode* bits in the Interface control register. Serial Mode may be used to conserve power when attached to a device that is not capable of operating in Hi-Speed.

The serial modes are entered in the same manner as the entry into Low Power Mode. The Link writes the Interface Control register bit for the specific serial mode. The USB3370 will assert **DIR** and shut off the clock after at least five clock cycles. Then the data bus goes to the format of the serial mode selected. Before entering Serial Mode the Link must set the ULPI transceiver to the appropriate mode as defined in [Table 5-1](#).

In ULPI Clock Output Mode, the PHY will shut off the 60MHz clock to conserve power. Should the Link need the 60MHz clock to continue during the serial mode of operation, the *ClockSuspendM* bit[3] of the Interface Control Register should be set before entering a serial mode. If set, the 60 MHz clock will be present during serial modes.

USB3370

In serial mode, interrupts are possible from unmasked sources. The state of each interrupt source is sampled prior to the assertion of **DIR** and this is compared against the asynchronous level from interrupt source.

Exiting the serial modes is the same as exiting Low Power Mode. The Link must assert **STP** to signal the PHY to exit serial mode. When the PHY can accept a command, **DIR** is de-asserted and the PHY will wait until the Link de-asserts **STP** to resume synchronous ULPI operation. The **RESETB** pin can also be pulsed low to reset the USB3370 and return it to Synchronous Mode.

6.6.1 3-PIN FS/LS SERIAL MODE

Three pin serial mode utilizes the data bus pins for the serial functions shown in [Table 6-8](#).

TABLE 6-8: PIN DEFINITIONS IN 3 PIN SERIAL MODE

| Signal | Connected To | Direction | Description |
|-----------|--------------|-----------|---|
| tx_enable | DATA[0] | IN | Active High transmit enable. |
| data | DATA[1] | I/O | TX differential data on DP/DM when tx_enable is high. RX differential data from DP/DM when tx_enable is low. |
| SE0 | DATA[2] | I/O | TX SE0 on DP/DM when tx_enable is high. RX SE0_b from DP/DM when tx_enable is low. |
| interrupt | DATA[3] | OUT | Asserted when any unmasked interrupt occurs. Active high. |
| Reserved | DATA[7:4] | OUT | Driven Low. |

6.6.2 6-PIN FS/LS SERIAL MODE

Six pin serial mode utilizes the data bus pins for the serial functions shown in [Table 6-9](#).

TABLE 6-9: PIN DEFINITIONS IN 6 PIN SERIAL MODE

| Signal | Connected To | Direction | Description |
|-----------|--------------|-----------|---|
| tx_enable | DATA[0] | IN | Active High transmit enable. |
| tx_data | DATA[1] | IN | Tx differential data on DP/DM when tx_enable is high. |
| tx_se0 | DATA[2] | IN | Tx SE0 on DP/DM when tx_enable is high. |
| interrupt | DATA[3] | OUT | Asserted when any unmasked interrupt occurs. Active high. |
| rx_dp | DATA[4] | OUT | Single ended receive data on DP. |
| rx_dm | DATA[5] | OUT | Single ended receive data on DM. |
| rx_rcv | DATA[6] | OUT | Differential receive data from DP and DM. |
| Reserved | DATA[7] | OUT | Driven Low. |

6.7 Carkit Mode

The USB3370 includes Carkit Mode to support a USB UART Mode.

By entering Carkit Mode, the USB3370 current drain is minimized. The internal PLL is disabled and the 60MHz ULPI **CLKOUT** will be stopped to conserve power by default. The Link may configure the 60MHz clock to continue by setting the *ClockSuspendM* bit of the [Interface Control](#) register before entering Carkit Mode. If set, the 60 MHz clock will continue during the Carkit Mode of operation.

In Carkit Mode, interrupts are possible if they have been enabled in the [Carkit Interrupt Enable](#) register. The state of each interrupt source is sampled prior to the assertion of **DIR** and this is compared against the asynchronous level from interrupt source. In Carkit Mode, the Linestate signals are not available per the ULPI specification.

The ULPI interface is redefined to the following when Carkit Mode is entered.

TABLE 6-10: PIN DEFINITIONS IN CARKIT MODE

| Signal | Connected To | Direction | Description |
|----------|--------------|-----------|--|
| txd | DATA[0] | IN | UART TXD signal that is routed to the DM pin if the <i>TxdEn</i> is set in the Carkit Control register. |
| rxn | DATA[1] | OUT | UART RXD signal that is routed to the DP pin if the <i>RxdEn</i> bit is set in the Carkit Control register. |
| reserved | DATA[2] | OUT | Driven Low (<i>CarkitDataMC</i> = 0, default) |
| | | IN | Tri-state (<i>CarkitDataMC</i> = 1) |
| int | DATA[3] | OUT | Asserted when any unmasked interrupt occurs. Active high. |
| reserved | DATA[4:7] | OUT | Driven Low. |

Exiting Carkit Mode is the same as exiting Low Power Mode as described in [Section 6.5.2](#). The Link must assert **STP** to signal the PHY to exit serial mode. When the PHY can accept a command, **DIR** is de-asserted and the PHY will wait until the Link de-asserts **STP** to resume synchronous ULPI operation. The **RESETB** pin can also be pulsed low to reset the USB3370 and return it to Synchronous Mode.

6.7.1 ENTERING USB UART MODE

The USB3370 can be placed into UART Mode by first setting the *TxdEn* and *RxdEn* bits in the [Carkit Control](#) register. Then the Link can set the *CarkitMode* bit in the [Interface Control](#) register. The *TxdEn* and *RxdEn* bits must be written before the *CarkitMode* bit.

TABLE 6-11: ULPI REGISTER PROGRAMMING EXAMPLE TO ENTER UART MODE

| R/W | Address (HEX) | Value (HEX) | Description | Result |
|-----|---------------|-------------|---|--|
| W | 04 | 49 | Configure Non-Driving mode Select FS transmit edge rates | <i>OpMode</i> =01 <i>XcvrSelect</i> =01 |
| W | 39 | 00 | Set regulator to 3.3V | <i>UART RegOutput</i> =00 |
| W | 19 | 0C | Enable UART connections | <i>RxdEn</i> =1 <i>TxdEn</i> =1 |
| W | 07 | 04 | Enable carkit mode | <i>CarkitMode</i> =1 |

After the *CarkitMode* bit is set, the ULPI interface will become redefined as described in [Table 6-10](#), and the USB3370 will transmit data through the **DATA[0]** to **DM** of the USB connector and receive data on **DP** and pass the information the Link on **DATA[1]**.

When entering UART mode, the regulator output will automatically switch to the value configured by the *UART RegOutput* bits in the [USB IO & Power Management](#) register and the R_{CD} pull-up resistors will be applied internally to **DP** and **DM**. This will hold the UART in its default operating state.

While in UART mode, the transmit edge rates can be set to either the Full Speed USB or Low Speed USB edge rates by using the *XcvrSelect[1:0]* bits in the [Function Control](#) register.

6.8 RID Converter Operation

The RID converter is designed to read the value of the ID resistance to ground and report back its value through the ULPI interface.

When a resistor to ground is applied to the **ID** pin the state of the IdGnd comparator will change from a 1 to a 0 as described in [Section 5.7.1](#). If the USB3370 is in ULPI mode, an RXCMD will be generated with bit 6 low. If the USB3370 is in Low Power Mode (or one of the other non-ULPI modes), the DATA[3] interrupt signal will go high.

After the USB3370 has detected the change of state on the **ID** pin, the RID converter can be used to determine the value of ID resistance. To start a ID resistance measurement, the *RidConversionStart* bit is set in the [Vendor Rid Conversion](#) register.

USB3370

The Link can use one of two methods to determine when the RID Conversion is complete. One method is polling the *RidConversionStart* bit as described in [Section 7.1.3.3](#). The preferred method is to set the *RidIntEn* bit in the [Vendor Rid Conversion](#) register. When *RidIntEn* is set, an RXCMD will be generated after the RID conversion is complete. As described in [Table 6-3](#), the *alt_int* bit of the RXCMD will be set.

After the RID Conversion is complete, the Link can read *RidValue* from the [Vendor Rid Conversion](#) register.

7.0 ULPI REGISTER MAP

7.1 ULPI Register Array

The USB3370 PHY implements all of the ULPI registers detailed in the ULPI revision 1.1 specification. The complete USB3370 ULPI register set is shown in [Table 7-1](#). All registers are 8 bits. This table also includes the default state of each register upon POR or de-assertion of **RESETB**, as described in [Section 5.6.2](#). The RESET bit in the [Function Control](#) Register does not reset the bits of the ULPI register array. The Link should not read or write to any registers not listed in this table.

The USB3370 supports extended register access. The immediate register set (00-3Fh) can be accessed through either a immediate address or an extended register address.

TABLE 7-1: ULPI REGISTER MAP

| Register Name | Default State | Address (6bit) | | | |
|---|---------------|----------------|-------|-----|-------|
| | | Read | Write | Set | Clear |
| Vendor ID Low | 24h | 00h | - | - | - |
| Vendor ID High | 04h | 01h | - | - | - |
| Product ID Low | 0Dh | 02h | - | - | - |
| Product ID High | 00h | 03h | - | - | - |
| Function Control | 41h | 04-06h | 04h | 05h | 06h |
| Interface Control | 00h | 07-09h | 07h | 08h | 09h |
| OTG Control | 06h | 0A-0Ch | 0Ah | 0Bh | 0Ch |
| USB Interrupt Enable Rising | 1Fh | 0D-0Fh | 0Dh | 0Eh | 0Fh |
| USB Interrupt Enable Falling | 1Fh | 10-12h | 10h | 11h | 12h |
| USB Interrupt Status (Note 7-1) | 00h | 13h | - | - | - |
| USB Interrupt Latch | 00h | 14h | - | - | - |
| Debug | 00h | 15h | - | - | - |
| Scratch Register | 00h | 16-18h | 16h | 17h | 18h |
| Carkit Control | 00h | 19-1Bh | 19h | 1Ah | 1Bh |
| Reserved | 00h | 1Ch | | | |
| Carkit Interrupt Enable | 00h | 1D-1Fh | 1Dh | 1Eh | 1Fh |
| Carkit Interrupt Status | 00h | 20h | - | - | - |
| Carkit Interrupt Latch | 00h | 21h | - | - | - |
| Reserved | 00h | 22-30h | | | |
| HS Compensation Register | 00h | 31h | 31h | - | - |
| USB-IF Charger Detection | 00h | 32h | 32h | - | - |
| Reserved | 00h | 33-35h | | | |
| Vendor Rid Conversion | 00h | 36-38h | 36h | 37h | 38h |
| USB IO & Power Management | 04h | 39-3Bh | 39h | 3Ah | 3Bh |
| Reserved | 00h | 3C-3Fh | | | |

Note 7-1 Dynamically updates to reflect current status of interrupt sources.

USB3370

7.1.1 ULPI REGISTER SET

The following registers are used for the ULPI interface.

7.1.1.1 Vendor ID Low

Address = 00h (read only)

| Field Name | Bit | Access | Default | Description |
|----------------------|-----|--------|---------|----------------|
| <i>Vendor ID Low</i> | 7:0 | rd | 24h | MCHP Vendor ID |

7.1.1.2 Vendor ID High

Address = 01h (read only)

| Field Name | Bit | Access | Default | Description |
|-----------------------|-----|--------|---------|----------------|
| <i>Vendor ID High</i> | 7:0 | rd | 04h | MCHP Vendor ID |

7.1.1.3 Product ID Low

Address = 02h (read only)

| Field Name | Bit | Access | Default | Description |
|-----------------------|-----|--------|---------|-----------------|
| <i>Product ID Low</i> | 7:0 | rd | 0Dh | MCHP Product ID |

7.1.1.4 Product ID High

Address = 03h (read only)

| Field Name | Bit | Access | Default | Description |
|------------------------|-----|--------|---------|-----------------|
| <i>Product ID High</i> | 7:0 | rd | 00h | MCHP Product ID |

7.1.1.5 Function Control

Address = 04-06h (read), 04h (write), 05h (set), 06h (clear)

| Field Name | Bit | Access | Default | Description |
|------------------------|-----|----------|---------|---|
| <i>XcvrSelect[1:0]</i> | 1:0 | rd/w/s/c | 01b | Selects the required transceiver speed. 00b: Enables HS transceiver 01b: Enables FS transceiver 10b: Enables LS transceiver 11b: Enables FS transceiver for LS packets (FS preamble automatically pre-pended) |
| <i>TermSelect</i> | 2 | rd/w/s/c | 0b | Controls the DP and DM termination depending on <i>XcvrSelect</i> , <i>OpMode</i> , <i>DpPulldown</i> , and <i>DmPulldown</i> . The DP and DM termination is detailed in Table 5-1 . |
| <i>OpMode[1:0]</i> | 4:3 | rd/w/s/c | 00b | Selects the required bit encoding style during transmit. 00b: Normal Operation 01b: Non-Driving 10b: Disable bit-stuff and NRZI encoding 11b: Reserved |
| <i>Reset</i> | 5 | rd/w/s/c | 0b | Active high transceiver reset. This reset does not reset the ULPI interface or register set. Automatically clears after reset is complete. |

| Field Name | Bit | Access | Default | Description |
|-------------------|-----|----------|---------|---|
| <i>SuspendM</i> | 6 | rd/w/s/c | 1b | Active low PHY suspend. When cleared the PHY will enter Low Power Mode as detailed in Section 6.5 . Automatically set when exiting Low Power Mode. |
| <i>LPM Enable</i> | 7 | rd/w/s/c | 0b | When enabled the PLL start-up time is shortened to allow fast start-up for LPM. The reduced PLL start-up time is achieved by bypassing the VCO process compensation which was done on initial start-up. |

7.1.1.6 Interface Control

Address = 07-09h (read), 07h (write), 08h (set), 09h (clear)

| Field Name | Bit | Access | Default | Description |
|--------------------------------|-----|----------|---------|--|
| <i>6-pin FsLsSerialMode</i> | 0 | rd/w/s/c | 0b | When asserted the ULPI interface is redefined to the 6-pin Serial Mode. The PHY will automatically clear this bit when exiting serial mode. |
| <i>3-pin FsLsSerialMode</i> | 1 | rd/w/s/c | 0b | When asserted the ULPI interface is redefined to the 3-pin Serial Mode. The PHY will automatically clear this bit when exiting serial mode. |
| <i>CarkitMode</i> | 2 | rd/w/s/c | 0b | When asserted the ULPI interface is redefined to the Carkit interface. The PHY will automatically clear this bit when exiting Carkit Mode. |
| <i>ClockSuspendM</i> | 3 | rd/w/s/c | 0b | Enables Link to turn on 60MHz CLKOUT in Serial Mode or Carkit Mode. 0b: Disable clock in serial or Carkit Mode. 1b: Enable clock in serial or Carkit Mode. |
| <i>AutoResume</i> | 4 | rd/w/s/c | 0b | Only applicable in Host mode. Enables the PHY to automatically transmit resume signaling. This function is detailed in Section 6.4.1.4 . |
| <i>IndicatorComplement</i> | 5 | rd/w/s/c | 0b | Inverts the EXTVBUS signal. This function is detailed in Section 5.7.2 . |
| <i>IndicatorPassThru</i> | 6 | rd/w/s/c | 0b | Disables and'ing the internal VBUS comparator with the EXTVBUS signal when asserted. This function is detailed in Section 5.7.2 . |
| <i>InterfaceProtectDisable</i> | 7 | rd/w/s/c | 0b | Used to disable the integrated STP pull-up resistor used for interface protection. This function is detailed in Section 6.5.4 . |

7.1.1.7 OTG Control

Address = 0A-0Ch (read), 0Ah (write), 0Bh (set), 0Ch (clear)

| Field Name | Bit | Access | Default | Description |
|-------------------|-----|----------|---------|---|
| <i>IdPullup</i> | 0 | rd/w/s/c | 0b | Connects a 100kΩ pull-up resistor from the ID pin to VDD33 0b: Disables the pull-up resistor 1b: Enables the pull-up resistor |
| <i>DpPulldown</i> | 1 | rd/w/s/c | 1b | Enables the 15k Ohm pull-down resistor on DP . 0b: Pull-down resistor not connected 1b: Pull-down resistor connected |
| <i>DmPulldown</i> | 2 | rd/w/s/c | 1b | Enables the 15k Ohm pull-down resistor on DM . 0b: Pull-down resistor not connected 1b: Pull-down resistor connected |

USB3370

| Field Name | Bit | Access | Default | Description |
|----------------------------------|-----|----------|---------|--|
| <i>DischrgVbus</i> | 3 | rd/w/s/c | 0b | This bit is only used during SRP. Connects a resistor from VBUS to ground to discharge VBUS . 0b: disconnect resistor from VBUS to ground 1b: connect resistor from VBUS to ground |
| <i>ChrgVbus</i> | 4 | rd/w/s/c | 0b | This bit is only used during SRP. Connects a resistor from VBUS to VDD33 to charge VBUS above the SessValid threshold. 0b: disconnect resistor from VBUS to VDD33 1b: connect resistor from VBUS to VDD33 |
| <i>DrvVbus</i> | 5 | rd/w/s/c | 0b | Enables external 5 volt supply to drive 5 volts on VBUS. This signal is or'ed with <i>DrvVbusExternal</i> . 0b: Do not drive Vbus, CPEN_N tri-stated. 1b: Drive Vbus, CPEN_N driven low. |
| <i>DrvVbusExternal</i> | 6 | rd/w/s/c | 0b | Enables external 5 volt supply to drive 5 volts on VBUS. This signal is or'ed with <i>DrvVbus</i> . 0b: Do not drive Vbus, CPEN_N tri-stated. 1b: Drive Vbus, CPEN_N driven low. |
| <i>UseExternalVbus Indicator</i> | 7 | rd/w/s/c | 0b | Tells the PHY to use an external VBUS over-current or voltage indicator. This function is detailed in Section 5.7.2 . 0b: Use the internal VbusValid comparator 1b: Use the EXTVBUS input as for VbusValid signal. |

7.1.1.8 USB Interrupt Enable Rising

Address = 0D-0Fh (read), 0Dh (write), 0Eh (set), 0Fh (clear)

| Field Name | Bit | Access | Default | Description |
|----------------------------|-----|----------|---------|--|
| <i>HostDisconnect Rise</i> | 0 | rd/w/s/c | 1b | Generate an interrupt event notification when Hostdisconnect changes from low to high. Applicable only in host mode. |
| <i>VbusValid Rise</i> | 1 | rd/w/s/c | 1b | Generate an interrupt event notification when Vbusvalid changes from low to high. |
| <i>SessValid Rise</i> | 2 | rd/w/s/c | 1b | Generate an interrupt event notification when SessValid changes from low to high. |
| <i>SessEnd Rise</i> | 3 | rd/w/s/c | 1b | Generate an interrupt event notification when SessEnd changes from low to high. |
| <i>IdGnd Rise</i> | 4 | rd/w/s/c | 1b | Generate an interrupt event notification when IdGnd changes from low to high. |
| <i>Reserved</i> | 7:5 | rd | 0h | Read only, 0. |

7.1.1.9 USB Interrupt Enable Falling

Address = 10-12h (read), 10h (write), 11h (set), 12h (clear)

| Field Name | Bit | Access | Default | Description |
|----------------------------|-----|----------|---------|--|
| <i>HostDisconnect Fall</i> | 0 | rd/w/s/c | 1b | Generate an interrupt event notification when Hostdisconnect changes from high to low. Applicable only in host mode. |
| <i>VbusValid Fall</i> | 1 | rd/w/s/c | 1b | Generate an interrupt event notification when Vbusvalid changes from high to low. |
| <i>SessValid Fall</i> | 2 | rd/w/s/c | 1b | Generate an interrupt event notification when SessValid changes from high to low. |
| <i>SessEnd Fall</i> | 3 | rd/w/s/c | 1b | Generate an interrupt event notification when SessEnd changes from high to low. |

| Field Name | Bit | Access | Default | Description |
|-------------------|-----|----------|---------|---|
| <i>IdGnd Fall</i> | 4 | rd/w/s/c | 1b | Generate an interrupt event notification when IdGnd changes from high to low. |
| <i>Reserved</i> | 7:5 | rd | 0h | Read only, 0. |

7.1.1.10 USB Interrupt Status

Address = 13h (read only)

This register dynamically updates to reflect current status of interrupt sources.

| Field Name | Bit | Access | Default | Description |
|-----------------------|-----|-------------------|---------|--|
| <i>HostDisconnect</i> | 0 | rd (read only) | 0b | Current value of the UTMI+ HS Hostdisconnect output. Applicable only in host mode. |
| <i>VbusValid</i> | 1 | | 0b | Current value of the UTMI+ Vbusvalid output. If <i>VbusValid Rise</i> and <i>VbusValid Fall</i> are set this register will read 0. |
| <i>SessValid</i> | 2 | | 0b | Current value of the UTMI+ SessValid output. This register will always read the current status of the Session Valid comparator regardless of the <i>SessValid Rise</i> and <i>SessValid Fall</i> settings. |
| <i>SessEnd</i> | 3 | | 0b | Current value of the UTMI+ SessEnd output. If <i>SessEnd Rise</i> and <i>SessEnd Fall</i> are set this register will read 0. |
| <i>IdGnd</i> | 4 | | 0b | Current value of the UTMI+ IdGnd output. |
| <i>Reserved</i> | 7:5 | | 0h | Read only, 0. |

Note: The default value is only valid after POR. When the register is read it will match the current status of the comparators at the moment the register is read.

7.1.1.11 USB Interrupt Latch

Address = 14h (read only with auto clear)

| Field Name | Bit | Access | Default | Description |
|-----------------------------|-----|------------------|---------|---|
| <i>HostDisconnect Latch</i> | 0 | rd (Note 7-2) | 0b | Set to 1b by the PHY when an unmasked event occurs on Hostdisconnect. Cleared when this register is read. Applicable only in host mode. |
| <i>VbusValid Latch</i> | 1 | | 0b | Set to 1b by the PHY when an unmasked event occurs on VbusValid. Cleared when this register is read. |
| <i>SessValid Latch</i> | 2 | | 0b | Set to 1b by the PHY when an unmasked event occurs on SessValid. Cleared when this register is read. |
| <i>SessEnd Latch</i> | 3 | | 0b | Set to 1b by the PHY when an unmasked event occurs on SessEnd. Cleared when this register is read. |
| <i>IdGnd Latch</i> | 4 | | 0b | Set to 1b by the PHY when an unmasked event occurs on IdGnd. Cleared when this register is read. |
| <i>Reserved</i> | 7:5 | rd | 0h | Read only, 0. |

Note 7-2 rd: Read Only with auto clear.

USB3370

7.1.1.12 Debug

Address = 15h (read only)

| Field Name | Bit | Access | Default | Description |
|-----------------------|-----|--------|---------|---|
| <i>Linestate[1:0]</i> | 1:0 | rd | 00b | Contains the current value of Linestate[1:0]. |
| <i>Reserved</i> | 7:2 | rd | 000000b | Read only, 0. |

7.1.1.13 Scratch Register

Address = 16-18h (read), 16h (write), 17h (set), 18h (clear)

| Field Name | Bit | Access | Default | Description |
|----------------|-----|----------|---------|--|
| <i>Scratch</i> | 7:0 | rd/w/s/c | 00h | Empty register byte for testing purposes. Software can read, write, set, and clear this register and the PHY functionality will not be affected. |

7.1.2 CARKIT CONTROL REGISTERS

The following registers are used to set-up and enable the USB UART functions.

7.1.2.1 Carkit Control

Address = 19-1Bh (read), 19h (write), 1Ah (set), 1Bh (clear)

This register is used to program the USB3370 into and out of the Carkit Mode. When entering the UART mode the Link must first set the desired *TxdEn* and the *RxdEn* bits and then transition to Carkit Mode by setting the *CarkitMode* bit in the [Interface Control](#) Register. When *RxdEn* is not set then the **DATA[1]** pin is held to a logic high.

| Field Name | Bit | Access | Default | Description |
|---------------------|-----|----------|---------|---|
| <i>CarkitPwr</i> | 0 | rd | 0b | Read only, 0. |
| <i>IdGndDrv</i> | 1 | rd/w/s/c | 0b | Drives ID pin to ground |
| <i>TxdEn</i> | 2 | rd/w/s/c | 0b | Connects UART TXD (DATA[0]) to DM |
| <i>RxdEn</i> | 3 | rd/w/s/c | 0b | Connects UART RXD (DATA[1]) to DP |
| <i>Reserved</i> | 4 | rd/w/s/c | 0b | |
| <i>Reserved</i> | 5 | rd/w/s/c | 0b | |
| <i>Reserved</i> | 6 | rd/w/s/c | 0b | |
| <i>CarkitDataMC</i> | 7 | rd/w/s/c | 0b | When set the UPLI DATA[2] pin is changed from a driven 0 to tri-state, when carkit mode is entered. |

7.1.2.2 Carkit Interrupt Enable

Address = 1D-1Fh (read), 1Dh (write), 1Eh (set), 1Fh (clear)

| Field Name | Bit | Access | Default | Description |
|---------------------|-----|----------|---------|--|
| <i>IdFloatRise</i> | 0 | rd/w/s/c | 0b | When enabled an interrupt will be generated on the alt_int of the RXCMD byte when the ID pin transitions from non-floating to floating. The <i>IdPullup</i> bit in the OTG Control register should be set. |
| <i>IdFloatFall</i> | 1 | rd/w/s/c | 0b | When enabled an interrupt will be generated on the alt_int of the RXCMD byte when the ID pin transitions from floating to non-floating. The <i>IdPullup</i> bit in the OTG Control register should be set. |
| <i>VdatDetIntEn</i> | 2 | rd/w/s/c | 0b | When enabled an interrupt will be generated on the alt_int of the RXCMD byte when the V _{DAT_DET} Comparator changes state. |

| Field Name | Bit | Access | Default | Description |
|------------------|-----|----------|---------|---|
| <i>CarDpRise</i> | 3 | rd | 0b | Not Implemented. Reads as 0b. |
| <i>CarDpFall</i> | 4 | rd | 0b | Not Implemented. Reads as 0b. |
| <i>RidIntEn</i> | 5 | rd/w/s/c | 0b | When enabled an interrupt will be generated on the <i>alt_int</i> of the RXCMD byte when <i>RidConversionDone</i> bit is asserted. Note: This register bit is or'ed with the <i>RidIntEn</i> bit of the Vendor Rid Conversion register described in Section 7.1.3.3 . |
| <i>Reserved</i> | 6 | rd | 0b | Read only, 0. |
| <i>Reserved</i> | 7 | rd | 0b | Read only, 0. |

7.1.2.3 Carkit Interrupt Status

Address = 20h (read only)

| Field Name | Bit | Access | Default | Description |
|--------------------------|-----|--------|---------|--|
| <i>IdFloat</i> | 0 | rd | 0b | Asserted when the ID pin is floating. <i>IdPullup</i> must be enabled. |
| <i>VdatDet</i> | 1 | rd | 0b | V_{DAT_DET} Comparator output 0b: No voltage is detected on DP 1b: Voltage detected on DP , <i>IdatSinkEn</i> must be set to 1. Note: <i>VdatDet</i> can also be read from the USB-IF Charger Detection register described in Section 7.1.3.3 . |
| <i>CarDp</i> | 2 | rd | 0b | Not Implemented. Reads as 0b. |
| <i>RidValue</i> | 5:3 | rd | 000b | Conversion value of Rid resistor 000: 0 ohms 001: 75 ohms 010: 102K ohms 011: 200K ohms 100: Reserved 101: ID floating 111: Error Note: <i>RidValue</i> can also be read from the Vendor Rid Conversion register described in Section 7.1.3.3 . |
| <i>RidConversionDone</i> | 6 | rd | 0b | Automatically asserted by the USB3370 when the Rid Conversion is finished. The conversion will take 282uS. This bit will auto clear when the <i>RidValue</i> is read from the Rid Conversion Register. Reading the <i>RidValue</i> from the Carkit Interrupt Status register will not clear either <i>RidConversionDone</i> status bit. Note: <i>RidConversionDone</i> can also be read from the Vendor Rid Conversion register described in Section 7.1.3.3 . |
| <i>Reserved</i> | 7 | rd | 0b | Read only, 0. |

USB3370

7.1.2.4 Carkit Interrupt Latch

Address = 21h (read only with auto-clear)

| Field Name | Bit | Access | Default | Description |
|---------------------------|-----|---------------|---------|--|
| <i>IdFloat Latch</i> | 0 | rd (Note 7-3) | 0b | Asserted if the state of the ID pin changes from non-floating to floating while the <i>IdFloatRise</i> bit is enabled or if the state of the ID pin changes from floating to non-floating while the <i>IdFloatFall</i> bit is enabled. |
| <i>VdatDet Latch</i> | 1 | rd | 0b | If <i>VdatDetIntEn</i> is set and the <i>VdatDet</i> bit changes state, this bit will be asserted. |
| <i>CarDp Latch</i> | 2 | rd | 0b | Not Implemented. Reads as 0b. |
| <i>RidConversionLatch</i> | 3 | rd (Note 7-3) | 0b | If <i>RidIntEn</i> is set and the state of the <i>RidConversionDone</i> bit changes from a 0 to 1 this bit will be asserted. |
| <i>Reserved</i> | 7:4 | rd | 0000b | Read only, 0. |

Note 7-3 rd: Read Only with auto clear

7.1.3 VENDOR REGISTER ACCESS

The vendor specific registers include the range from 30h to 3Fh. These can be accessed by the ULPI immediate register read / write.

7.1.3.1 HS Compensation Register

Address = 31h (read / write)

The USB3370 is designed to meet the USB specifications and requirements when the DP and DM signals are properly designed on the PCB. The DP and DM trace impedance should be 45ohm single ended and 90ohm differential. In cases where the DP and DM traces are not able to meet these requirements the HS Compensation register can be used to compensate for the losses in signal amplitude.

| Field Name | Bit | Access | Default | Description |
|------------------|-----|--------|---------|--|
| <i>VariSense</i> | 1:0 | rd/w | 00b | Used to lower the threshold of the squelch detector. 00: 100% (default) 01: 83% 10: 66.7% 11: 50% |
| <i>Reserved</i> | 2 | rd | 0b | Read only, 0. |
| <i>Reserved</i> | 3 | rd | 0b | Read only, 0. |
| <i>PHYBoost</i> | 6:4 | rd/w | 000b | Used to change the output voltage of the Hi-Speed transmitter 000: Nominal 001: +3.7% 010: +7.4% 011: +11.0% 100: +14.7% 101: +18.3% 110: +22.0% 111: +25.7% |
| <i>Reserved</i> | 7 | rd | 0b | Read only, 0. |

7.1.3.2 USB-IF Charger Detection

Address = 32h (read / write)

| Field Name | Bit | Access | Default | Description |
|------------------------|-----|--------|---------|--|
| <i>VDatSrcEn</i> | 0 | rd/w | 0 | V_{DAT_SRC} voltage enable 0b: Disabled 1b: Enabled |
| <i>IDatSinkEn</i> | 1 | rd/w | 0 | I_{DAT_SINK} current sink and V_{DAT_DET} comparator enable 0b: Disabled, $V_{DAT_DET} = 0$. 1b: Enabled |
| <i>ContactDetectEn</i> | 2 | rd/w | 0 | I_{DP_SRC} Enable 0b: Disabled 1b: Enabled |
| <i>HostChrgEn</i> | 3 | rd/w | 0 | Enable Charging Host Port Mode. 0b: Portable Device 1b: Charging Host Port. When the charging host port bit is set the connections of V_{DAT_SRC} , I_{DAT_SINK} , I_{DP_SRC} , and V_{DAT_DET} are reversed between DP and DM . |
| <i>VdatDet</i> | 4 | rd | 0 | V_{DAT_DET} Comparator output. <i>IdatSinkEn</i> must be set to 1 to enable the comparator. 0b: No voltage is detected on DP or <i>Linestate[1:0]</i> is not equal to 00b. 1b: Voltage detected on DP , and <i>Linestate[1:0]</i> = 00b. Note: <i>VdatDet</i> can also be read from the CarKit Interrupt Status register described in Section 7.1.2.3 . |
| <i>Reserved</i> | 5-7 | rd | | Read only, 0. |

Note: The charger detection should be turned off before beginning USB operation. USB-IF Charger Detection Bits 2:0 should be set to 000b.

7.1.3.3 Vendor Rid Conversion

Address = 36-38h (read), 36h (write), 37h (set), 38h (clear)

| Field Name | Bit | Access | Default | Description |
|--------------------------|-----|---------------------------------|---------|--|
| <i>RidValue</i> | 2:0 | rd/w | 000b | Conversion value of Rid resistor 000: 0 ohms 001: 75 ohms 010: 100K ohms 011: 200K ohms 100: 440K ohms 101: ID floating 111: Error Note: <i>RidValue</i> can also be read from the CarKit Interrupt Status Register. |
| <i>RidConversionDone</i> | 3 | rd (Note 7-4) | 0b | Automatically asserted by the USB3370 when the Rid Conversion is finished. The conversion will take 282uS. This bit will auto clear when the <i>RidValue</i> is read from the Rid Conversion Register. Reading the <i>RidValue</i> from the CarKit Interrupt Status Register will not clear either <i>RidConversionDone</i> status bit. Note: <i>RidConversionDone</i> can also be read from the CarKit Interrupt Status Register. |

USB3370

| Field Name | Bit | Access | Default | Description |
|---------------------------|-----|----------|---------|---|
| <i>RidConversionStart</i> | 4 | rd/w/s/c | 0b | When this bit is asserted either through a register write or set, the Rid converter will read the value of the ID resistor. When the conversion is complete this bit will auto clear. |
| <i>Reserved</i> | 5 | rd/w/s/c | 0b | This bit must remain at 0. |
| <i>RidIntEn</i> | 6 | rd/w/s/c | 0b | When enabled an interrupt will be generated on the <i>alt_int</i> of the RXCMD byte when <i>RidConversionDone</i> bit is asserted. Note: This register bit is or'ed with the <i>RidIntEn</i> bit of the Carkit Interrupt Status register. |
| <i>Reserved</i> | 7 | rd | 0b | Read only, 0. |

Note 7-4 rd: Read Only with auto clear.

7.1.3.4 USB IO & Power Management

Address = 39-3Bh (read), 39h (write), 3Ah (set), 3Bh (clear)

| Field Name | Bit | Access | Default | Description |
|--------------------------|-----|----------|---------|---|
| <i>Reserved</i> | 0 | rd/w/s/c | 0b | Read only, 0. |
| <i>SwapDP/DM</i> | 1 | rd/w/s/c | 0b | When asserted, the DP and DM pins of the USB transceiver are swapped. This bit can be used to prevent crossing the DP/DM traces on the board. In UART mode, it swaps the routing to the DP and DM pins. |
| <i>UART RegOutput</i> | 3:2 | rd/w/s/c | 01b | Controls the output voltage of the VBAT to VDD33 regulator in UART mode. When the PHY is switched from USB mode to UART mode regulator output will automatically change to the value specified in this register when <i>TxdEn</i> is asserted. 00: 3.3V 01: 3.0V (default) 10: 2.75V 11: 2.5V |
| <i>ChargerPullupEnDP</i> | 4 | rd/w/s/c | 0b | Enables the R _{CD} Pull-up resistor on the DP pin. (The pull-up is automatically enabled in UART mode) |
| <i>ChargerPullupEnDM</i> | 5 | rd/w/s/c | 0b | Enables the R _{CD} Pull-up resistor on the DM pin. (The pull-up is automatically enabled in UART mode) |
| <i>USB RegOutput</i> | 7:6 | rd/w/s/c | 00b | Controls the output voltage of the VBAT to VDD33 regulator in USB mode. When the PHY is in Synchronous Mode, Serial Mode, or Low Power Mode, the regulator output will be the value specified in this register. 00: 3.3V (default) 01: 3.0V 10: 2.75V 11: 2.5V |

8.0 APPLICATION NOTES

8.1 Application Diagrams

The USB3370 requires few external components as shown in the application diagrams. The USB 2.0 Specification restricts the voltage at the VBUS pin to a maximum value of 5.25V. In some applications, the voltage will exceed this limit, so the USB3370 provides an integrated over voltage protection circuit. The over voltage protection circuit works with an external resistor (R_{VBUS}) to lower the voltage at the VBUS pin.

TABLE 8-1: COMPONENT VALUES IN APPLICATION DIAGRAMS

| Reference Designator | Value | Description | Notes |
|----------------------|--------------------------------|--|--|
| C_{OUT} | See Table 4-10 | Bypass capacitor to ground (<1 Ω ESR) for regulator stability. | Place as close as possible to the PHY. |
| C_{VBUS} | See Table 8-2 | Capacitor to ground required by the USB Specification. Microchip recommends <1 Ω ESR. | Place near the USB connector. |
| C_{BYP} | System dependent. | Bypass capacitor to ground. Typical values used are 0.1 or 0.01 μ F. | Place as close as possible to the PHY. |
| C_{DC_LOAD} | System dependent. | The USB connector housing may be AC-coupled to the device ground. | Industry convention is to ground only the host side of the cable shield. |
| R_{VBUS} | 1k Ω or 20k Ω | Series resistor to work with internal over voltage protection. | See Section 5.7.3.4 for information regarding power dissipation. |
| R_{BIAS} | 10k Ω (\pm 1%) | Series resistor to establish reference voltage. | See Section 5.3 for information regarding power dissipation. |

TABLE 8-2: CAPACITANCE VALUES AT VBUS OF USB CONNECTOR

| MODE | MIN Value | MAX Value |
|--------|-------------|-------------|
| Host | 120 μ F | |
| Device | 1 μ F | 10 μ F |
| OTG | 1 μ F | 6.5 μ F |

USB3370

FIGURE 8-1: USB3370 APPLICATION DIAGRAM (HOST CONFIGURED FOR ULPI CLOCK INPUT MODE)

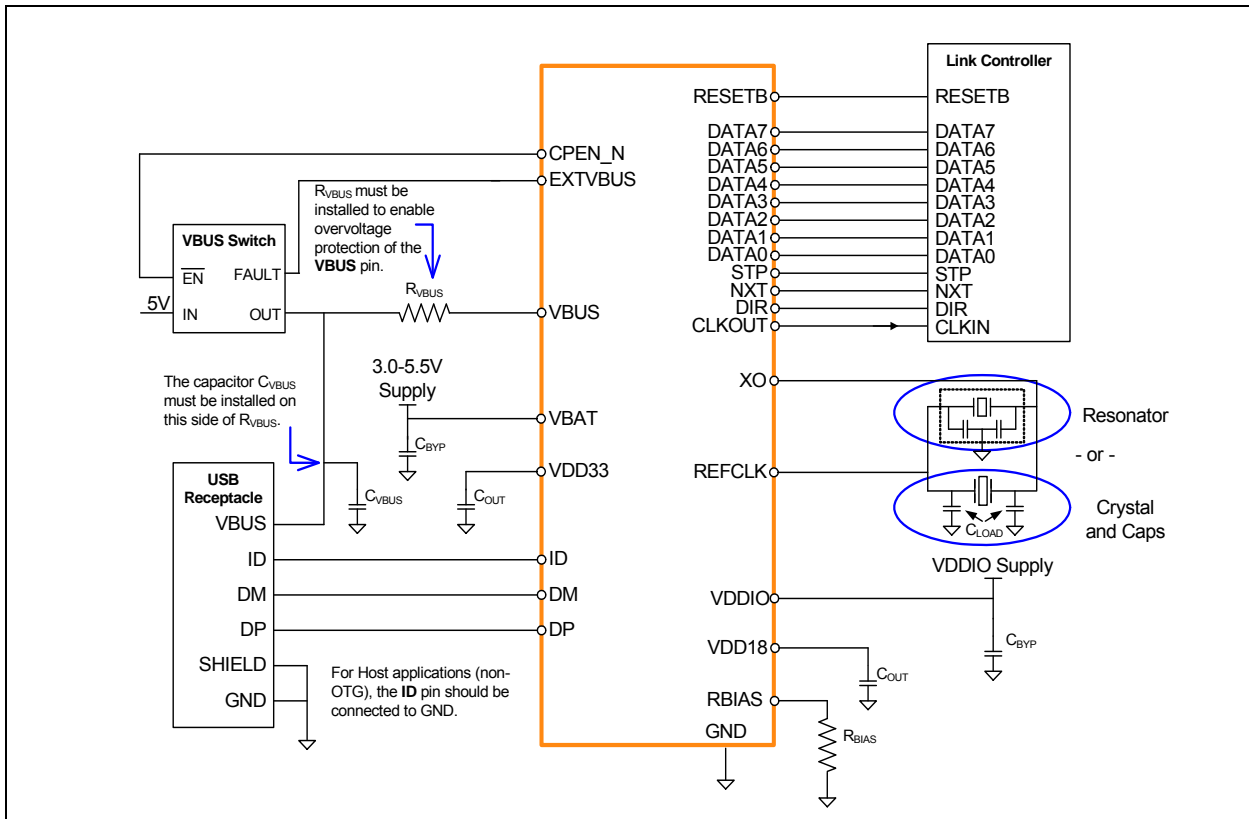
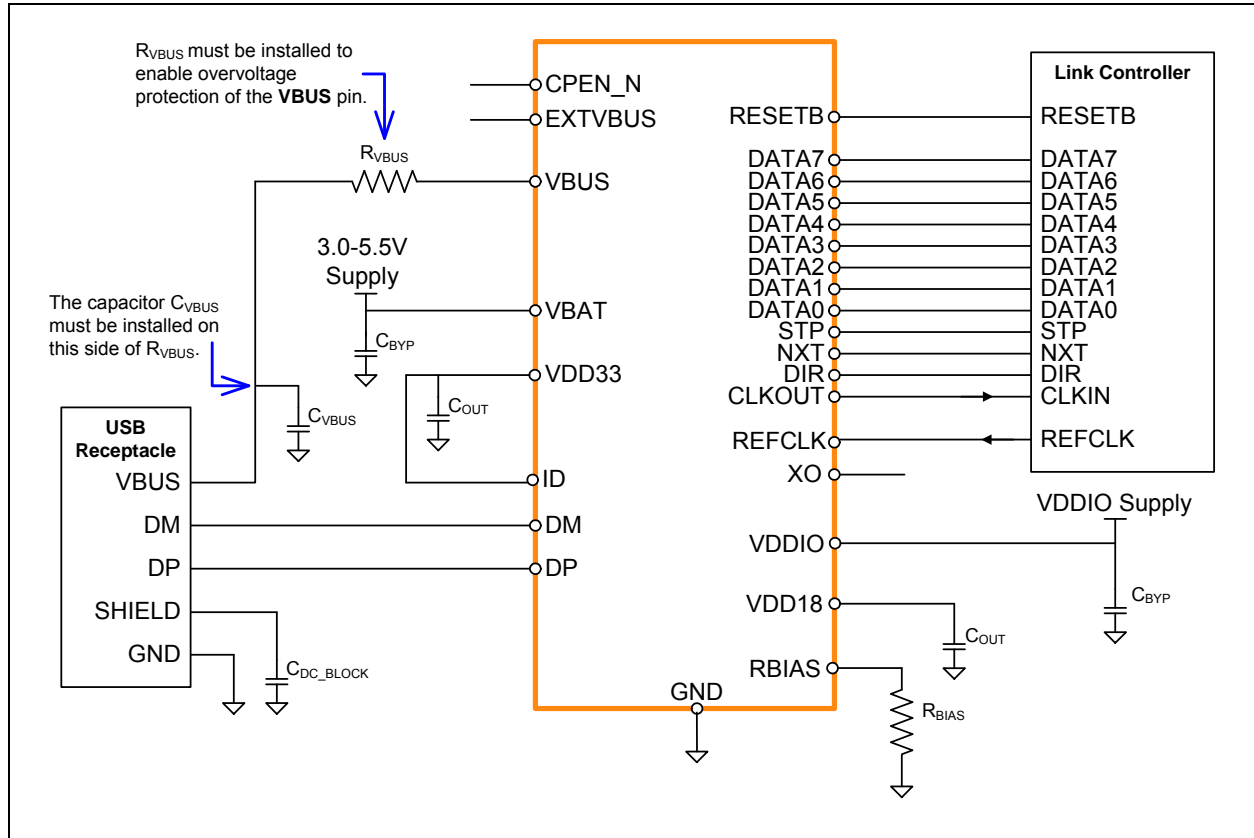
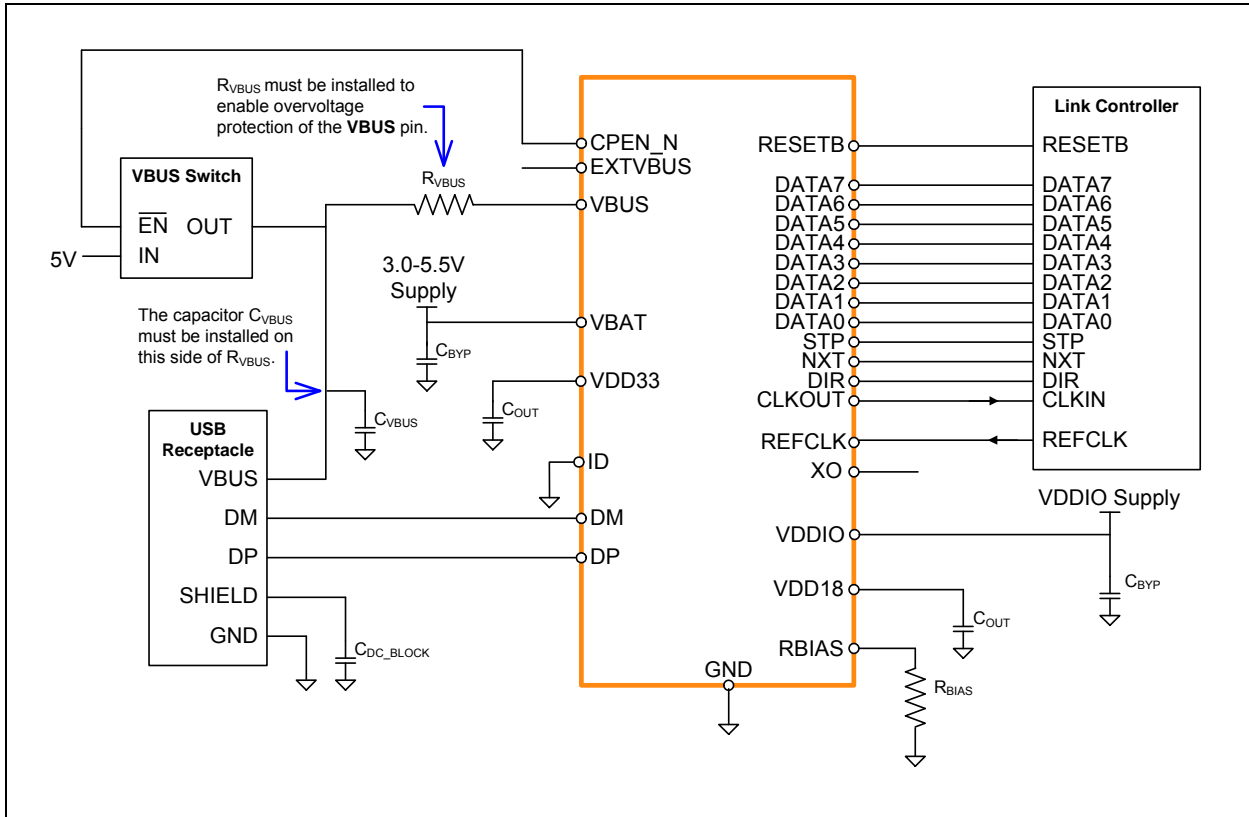


FIGURE 8-2: USB3370 APPLICATION DIAGRAM (DEVICE CONFIGURED FOR ULPI CLOCK OUTPUT MODE)



USB3370

FIGURE 8-3: USB3370 APPLICATION DIAGRAM (HOST CONFIGURED FOR ULPI CLOCK OUTPUT MODE)



8.2 USB Charger Detection

The USB3370 provides the hardware described in the USB Battery Charging Specification. Microchip provides an Application Note which describes how to use the USB3370 in a battery charging application.

8.3 Reference Designs

Microchip has generated reference designs for connecting the USB3370 to SoCs with a ULPI port. Please contact the Microchip sales office for more details.

8.4 ESD Performance

The USB3370 is protected from ESD strikes. By eliminating the requirement for external ESD protection devices, board space is conserved, and the board manufacturer is enabled to reduce cost. The advanced ESD structures integrated into the USB3370 protect the device whether or not it is powered up.

8.4.1 HUMAN BODY MODEL (HBM) PERFORMANCE

HBM testing verifies the ability to withstand the ESD strikes like those that occur during handling and manufacturing, and is done without power applied to the IC. To pass the test, the device must have no change in operation or performance due to the event. The USB3370 HBM performance is detailed in [Table 4-12](#).

8.4.2 EN/IEC 61000-4-2 PERFORMANCE

The EN/IEC 61000-4-2 ESD specification is an international standard that addresses system-level immunity to ESD strikes while the end equipment is operational. In contrast, the HBM ESD tests are performed at the device level with the device powered down.

Microchip contracts with Independent laboratories to test the USB3370 to EN/IEC 61000-4-2 in a working system. Reports are available upon request. Please contact your Microchip representative, and request information on 3rd party ESD test results. The reports show that systems designed with the USB3370 can safely provide the ESD performance shown in [Table 4-12](#) without additional board level protection.

In addition to defining the ESD tests, EN/IEC 61000-4-2 also categorizes the impact to equipment operation when the strike occurs (ESD Result Classification). The USB3370 maintains an ESD Result Classification 1 or 2 when subjected to an EN/IEC 61000-4-2 (level 4) ESD strike.

Both air discharge and contact discharge test techniques for applying stress conditions are defined by the EN/IEC 61000-4-2 ESD document.

8.4.2.1 Air Discharge

To perform this test, a charged electrode is moved close to the system being tested until a spark is generated. This test is difficult to reproduce because the discharge is influenced by such factors as humidity, the speed of approach of the electrode, and construction of the test equipment.

8.4.2.2 Contact Discharge

The uncharged electrode first contacts the USB connector to prepare this test, and then the probe tip is energized. This yields more repeatable results, and is the preferred test method. The independent test laboratories contracted by Microchip provide test results for both types of discharge methods.

9.0 PACKAGE OUTLINE

FIGURE 9-1: USB3370 32-PIN QFN, 5X5MM BODY, 0.5MM PITCH

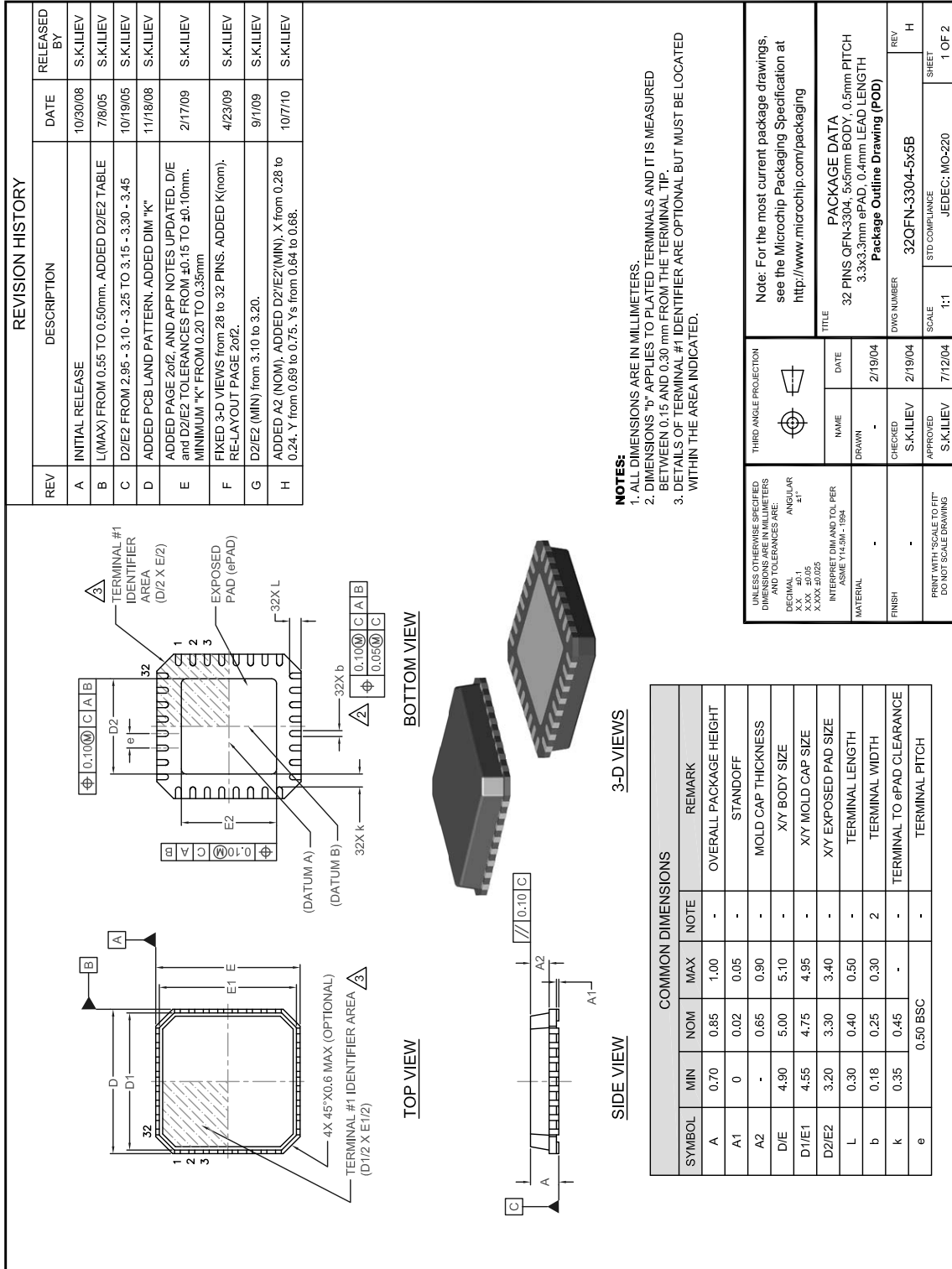
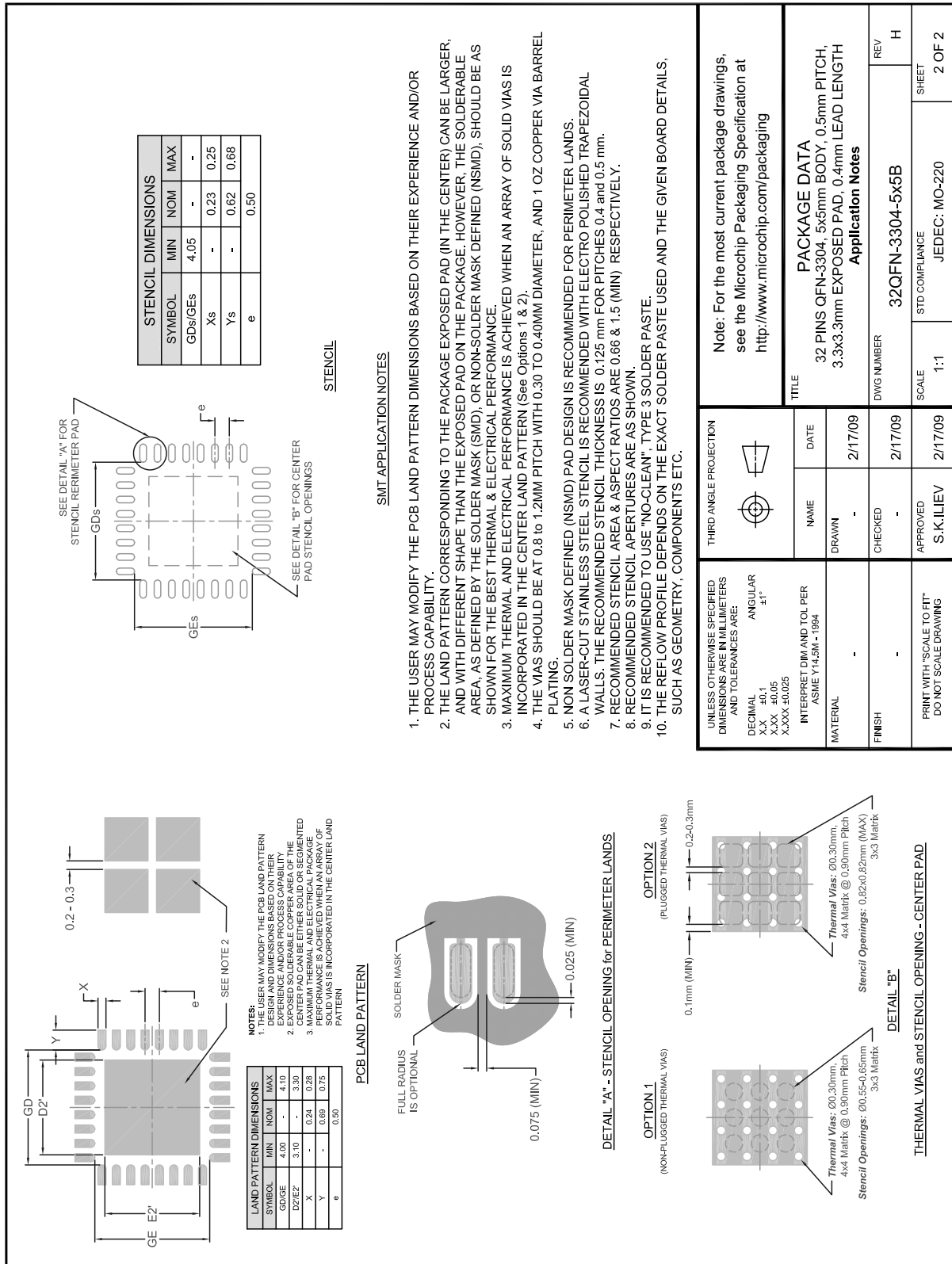


FIGURE 9-1: USB3370 32-PIN QFN, 5X5MM BODY, 0.5MM PITCH (CONTINUED)



USB3370

FIGURE 9-2: 32QFN, 5X5 TAPE AND REEL

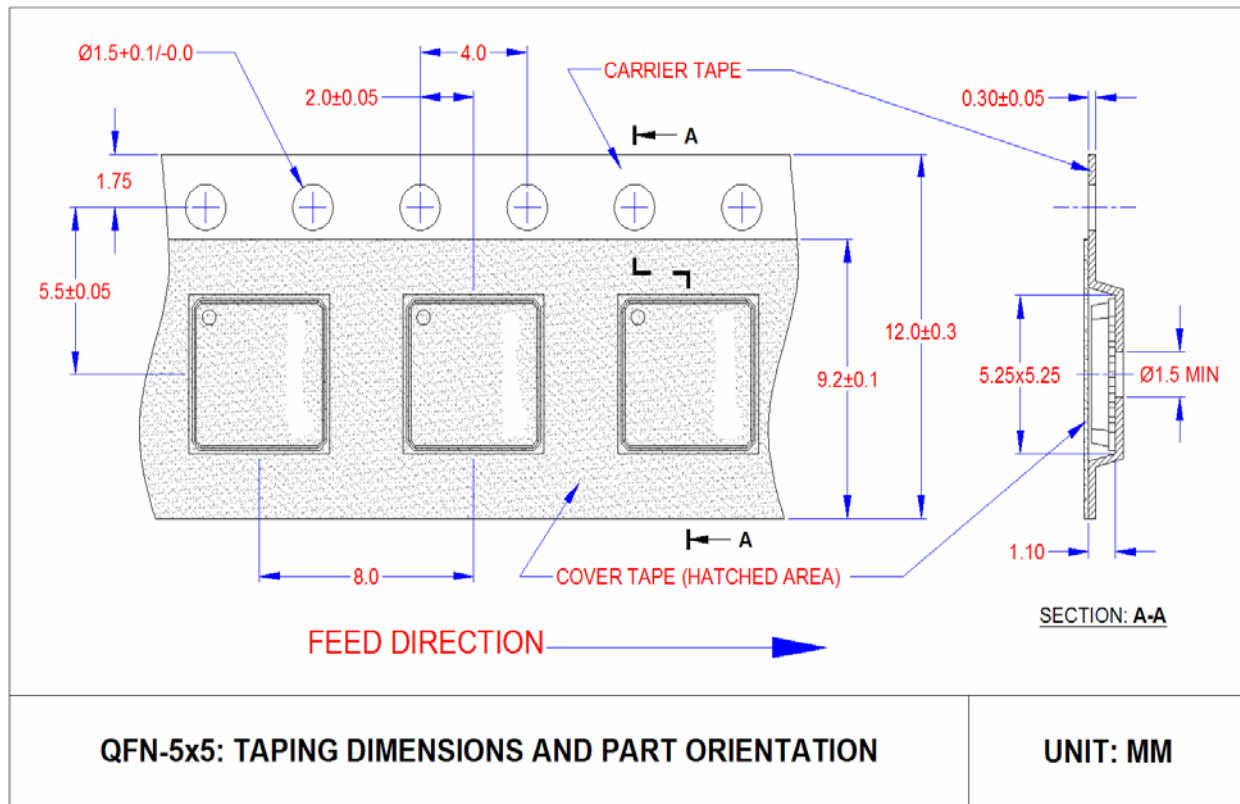


FIGURE 9-3: 32QFN, 5X5 REEL DIMENSIONS

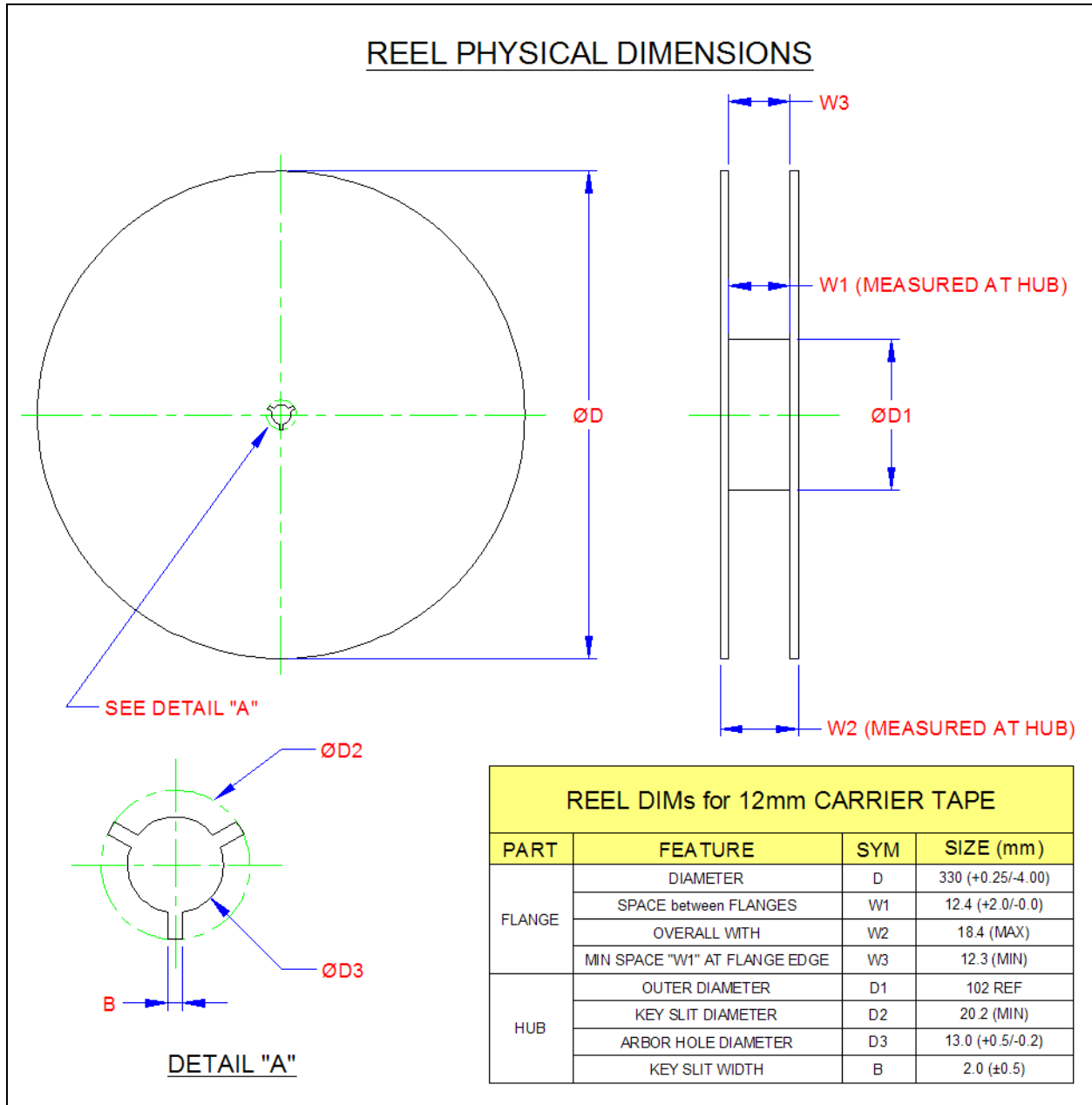
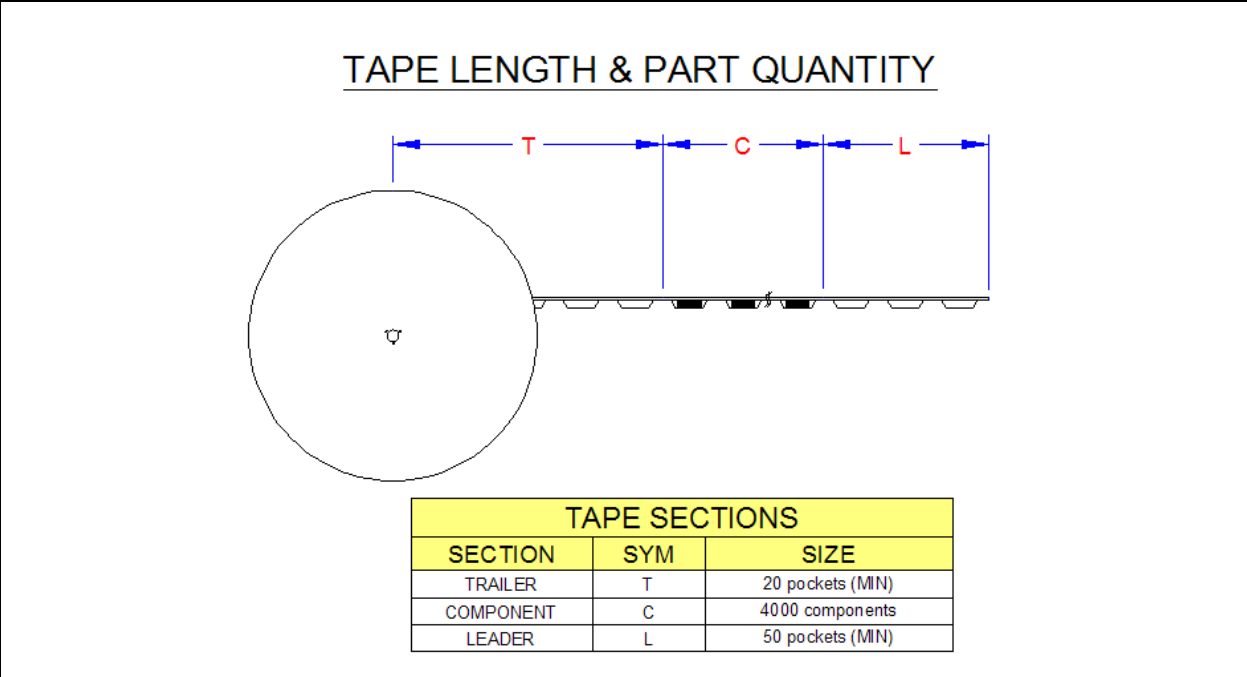


FIGURE 9-4: 32QFN TAPE LENGTH AND PART QUANTITY



APPENDIX A: DATA SHEET REVISION HISTORY

TABLE A-1: CUSTOMER REVISION HISTORY

| REVISION LEVEL & DATE | SECTION/FIGURE/ENTRY | CORRECTION |
|------------------------|--|------------|
| DS00001915A (04-06-15) | Replaces previous SMSC version Rev. 1.0 (10-08-12) | |
| Rev. 1.0 (10-08-12) | Initial data sheet release | |

USB3370

THE MICROCHIP WEB SITE

Microchip provides online support via our WWW site at www.microchip.com. This web site is used as a means to make files and information easily available to customers. Accessible by using your favorite Internet browser, the web site contains the following information:

- **Product Support** – Data sheets and errata, application notes and sample programs, design resources, user's guides and hardware support documents, latest software releases and archived software
- **General Technical Support** – Frequently Asked Questions (FAQ), technical support requests, online discussion groups, Microchip consultant program member listing
- **Business of Microchip** – Product selector and ordering guides, latest Microchip press releases, listing of seminars and events, listings of Microchip sales offices, distributors and factory representatives

CUSTOMER CHANGE NOTIFICATION SERVICE

Microchip's customer notification service helps keep customers current on Microchip products. Subscribers will receive e-mail notification whenever there are changes, updates, revisions or errata related to a specified product family or development tool of interest.

To register, access the Microchip web site at www.microchip.com. Under "Support", click on "Customer Change Notification" and follow the registration instructions.

CUSTOMER SUPPORT

Users of Microchip products can receive assistance through several channels:

- Distributor or Representative
- Local Sales Office
- Field Application Engineer (FAE)
- Technical Support

Customers should contact their distributor, representative or field application engineer (FAE) for support. Local sales offices are also available to help customers. A listing of sales offices and locations is included in the back of this document.

Technical support is available through the web site at: <http://www.microchip.com/support>

PRODUCT IDENTIFICATION SYSTEM

To order or obtain information, e.g., on pricing or delivery, refer to the factory or the listed sales office.

| <u>PART NO.</u> | - | <u>XXX</u> | - | <u>[X]</u> |
|-----------------------|-----|------------|--------------------------------------|----------------------|
| Device | | Package | | Tape and Reel Option |
| Device: | | USB3370B | | |
| Package: | EZK | = | 32-pin QFN, 192 MHz REFCLK frequency | |
| Tape and Reel Option: | TR | = | Tape and Reel ⁽¹⁾ | |

Example:
USB3370B-EZK-TR = 32-pin QFN
RoHS compliant package
tape & reel

Note 1: Tape and Reel identifier only appears in the catalog part number description. This identifier is used for ordering purposes and is not printed on the device package. Check with your Microchip Sales Office for package availability with the Tape and Reel option. Reel size is 5,000.

USB3370

Note the following details of the code protection feature on Microchip devices:

- Microchip products meet the specification contained in their particular Microchip Data Sheet.
- Microchip believes that its family of products is one of the most secure families of its kind on the market today, when used in the intended manner and under normal conditions.
- There are dishonest and possibly illegal methods used to breach the code protection feature. All of these methods, to our knowledge, require using the Microchip products in a manner outside the operating specifications contained in Microchip's Data Sheets. Most likely, the person doing so is engaged in theft of intellectual property.
- Microchip is willing to work with the customer who is concerned about the integrity of their code.
- Neither Microchip nor any other semiconductor manufacturer can guarantee the security of their code. Code protection does not mean that we are guaranteeing the product as “unbreakable.”

Code protection is constantly evolving. We at Microchip are committed to continuously improving the code protection features of our products. Attempts to break Microchip's code protection feature may be a violation of the Digital Millennium Copyright Act. If such acts allow unauthorized access to your software or other copyrighted work, you may have a right to sue for relief under that Act.

Information contained in this publication regarding device applications and the like is provided only for your convenience and may be superseded by updates. It is your responsibility to ensure that your application meets with your specifications. MICROCHIP MAKES NO REPRESENTATIONS OR WARRANTIES OF ANY KIND WHETHER EXPRESS OR IMPLIED, WRITTEN OR ORAL, STATUTORY OR OTHERWISE, RELATED TO THE INFORMATION, INCLUDING BUT NOT LIMITED TO ITS CONDITION, QUALITY, PERFORMANCE, MERCHANTABILITY OR FITNESS FOR PURPOSE. Microchip disclaims all liability arising from this information and its use. Use of Microchip devices in life support and/or safety applications is entirely at the buyer's risk, and the buyer agrees to defend, indemnify and hold harmless Microchip from any and all damages, claims, suits, or expenses resulting from such use. No licenses are conveyed, implicitly or otherwise, under any Microchip intellectual property rights.

Trademarks

The Microchip name and logo, the Microchip logo, dsPIC, FlashFlex, flexPWR, JukeBlox, KEELOQ, KEELOQ logo, Kleer, LANCheck, MediaLB, MOST, MOST logo, MPLAB, OptoLyzer, PIC, PICSTART, PIC³² logo, RightTouch, SpyNIC, SST, SST Logo, SuperFlash and UNI/O are registered trademarks of Microchip Technology Incorporated in the U.S.A. and other countries.

The Embedded Control Solutions Company and mTouch are registered trademarks of Microchip Technology Incorporated in the U.S.A.

Analog-for-the-Digital Age, BodyCom, chipKIT, chipKIT logo, CodeGuard, dsPICDEM, dsPICDEM.net, ECAN, In-Circuit Serial Programming, ICSP, Inter-Chip Connectivity, KleerNet, KleerNet logo, MiWi, MPASM, MPF, MPLAB Certified logo, MPLIB, MPLINK, MultiTRAK, NetDetach, Omniscient Code Generation, PICDEM, PICDEM.net, PICKit, PICTail, RightTouch logo, REAL ICE, SQI, Serial Quad I/O, Total Endurance, TSHARC, USBCheck, VariSense, ViewSpan, WiperLock, Wireless DNA, and ZENA are trademarks of Microchip Technology Incorporated in the U.S.A. and other countries.

SQTP is a service mark of Microchip Technology Incorporated in the U.S.A.

Silicon Storage Technology is a registered trademark of Microchip Technology Inc. in other countries.

GestIC is a registered trademarks of Microchip Technology Germany II GmbH & Co. KG, a subsidiary of Microchip Technology Inc., in other countries.

All other trademarks mentioned herein are property of their respective companies.

© 2012 - 2015, Microchip Technology Incorporated, Printed in the U.S.A., All Rights Reserved.

ISBN: 9781632772305

QUALITY MANAGEMENT SYSTEM
CERTIFIED BY DNV
== ISO/TS 16949 ==

Microchip received ISO/TS-16949:2009 certification for its worldwide headquarters, design and wafer fabrication facilities in Chandler and Tempe, Arizona; Gresham, Oregon and design centers in California and India. The Company's quality system processes and procedures are for its PIC[®] MCUs and dsPIC[®] DSCs, KEELOQ[®] code hopping devices, Serial EEPROMs, microperipherals, nonvolatile memory and analog products. In addition, Microchip's quality system for the design and manufacture of development systems is ISO 9001:2000 certified.



Worldwide Sales and Service

AMERICAS

Corporate Office
2355 West Chandler Blvd.
Chandler, AZ 85224-6199
Tel: 480-792-7200
Fax: 480-792-7277
Technical Support:
<http://www.microchip.com/support>
Web Address:
www.microchip.com

Atlanta
Duluth, GA
Tel: 678-957-9614
Fax: 678-957-1455

Austin, TX
Tel: 512-257-3370

Boston
Westborough, MA
Tel: 774-760-0087
Fax: 774-760-0088

Chicago
Itasca, IL
Tel: 630-285-0071
Fax: 630-285-0075

Cleveland
Independence, OH
Tel: 216-447-0464
Fax: 216-447-0643

Dallas
Addison, TX
Tel: 972-818-7423
Fax: 972-818-2924

Detroit
Novi, MI
Tel: 248-848-4000

Houston, TX
Tel: 281-894-5983

Indianapolis
Noblesville, IN
Tel: 317-773-8323
Fax: 317-773-5453

Los Angeles
Mission Viejo, CA
Tel: 949-462-9523
Fax: 949-462-9608

New York, NY
Tel: 631-435-6000

San Jose, CA
Tel: 408-735-9110

Canada - Toronto
Tel: 905-673-0699
Fax: 905-673-6509

ASIA/PACIFIC

Asia Pacific Office
Suites 3707-14, 37th Floor
Tower 6, The Gateway
Harbour City, Kowloon
Hong Kong
Tel: 852-2943-5100
Fax: 852-2401-3431

Australia - Sydney
Tel: 61-2-9868-6733
Fax: 61-2-9868-6755

China - Beijing
Tel: 86-10-8569-7000
Fax: 86-10-8528-2104

China - Chengdu
Tel: 86-28-8665-5511
Fax: 86-28-8665-7889

China - Chongqing
Tel: 86-23-8980-9588
Fax: 86-23-8980-9500

China - Dongguan
Tel: 86-769-8702-9880

China - Hangzhou
Tel: 86-571-8792-8115
Fax: 86-571-8792-8116

China - Hong Kong SAR
Tel: 852-2943-5100
Fax: 852-2401-3431

China - Nanjing
Tel: 86-25-8473-2460
Fax: 86-25-8473-2470

China - Qingdao
Tel: 86-532-8502-7355
Fax: 86-532-8502-7205

China - Shanghai
Tel: 86-21-5407-5533
Fax: 86-21-5407-5066

China - Shenyang
Tel: 86-24-2334-2829
Fax: 86-24-2334-2393

China - Shenzhen
Tel: 86-755-8864-2200
Fax: 86-755-8203-1760

China - Wuhan
Tel: 86-27-5980-5300
Fax: 86-27-5980-5118

China - Xian
Tel: 86-29-8833-7252
Fax: 86-29-8833-7256

ASIA/PACIFIC

China - Xiamen
Tel: 86-592-2388138
Fax: 86-592-2388130

China - Zhuhai
Tel: 86-756-3210040
Fax: 86-756-3210049

India - Bangalore
Tel: 91-80-3090-4444
Fax: 91-80-3090-4123

India - New Delhi
Tel: 91-11-4160-8631
Fax: 91-11-4160-8632

India - Pune
Tel: 91-20-3019-1500

Japan - Osaka
Tel: 81-6-6152-7160
Fax: 81-6-6152-9310

Japan - Tokyo
Tel: 81-3-6880-3770
Fax: 81-3-6880-3771

Korea - Daegu
Tel: 82-53-744-4301
Fax: 82-53-744-4302

Korea - Seoul
Tel: 82-2-554-7200
Fax: 82-2-558-5932 or
82-2-558-5934

Malaysia - Kuala Lumpur
Tel: 60-3-6201-9857
Fax: 60-3-6201-9859

Malaysia - Penang
Tel: 60-4-227-8870
Fax: 60-4-227-4068

Philippines - Manila
Tel: 63-2-634-9065
Fax: 63-2-634-9069

Singapore
Tel: 65-6334-8870
Fax: 65-6334-8850

Taiwan - Hsin Chu
Tel: 886-3-5778-366
Fax: 886-3-5770-955

Taiwan - Kaohsiung
Tel: 886-7-213-7828

Taiwan - Taipei
Tel: 886-2-2508-8600
Fax: 886-2-2508-0102

Thailand - Bangkok
Tel: 66-2-694-1351
Fax: 66-2-694-1350

EUROPE

Austria - Wels
Tel: 43-7242-2244-39
Fax: 43-7242-2244-393

Denmark - Copenhagen
Tel: 45-4450-2828
Fax: 45-4485-2829

France - Paris
Tel: 33-1-69-53-63-20
Fax: 33-1-69-30-90-79

Germany - Dusseldorf
Tel: 49-2129-3766400

Germany - Munich
Tel: 49-89-627-144-0
Fax: 49-89-627-144-44

Germany - Pforzheim
Tel: 49-7231-424750

Italy - Milan
Tel: 39-0331-742611
Fax: 39-0331-466781

Italy - Venice
Tel: 39-049-7625286

Netherlands - Drunen
Tel: 31-416-690399
Fax: 31-416-690340

Poland - Warsaw
Tel: 48-22-3325737

Spain - Madrid
Tel: 34-91-708-08-90
Fax: 34-91-708-08-91

Sweden - Stockholm
Tel: 46-8-5090-4654

UK - Wokingham
Tel: 44-118-921-5800
Fax: 44-118-921-5820